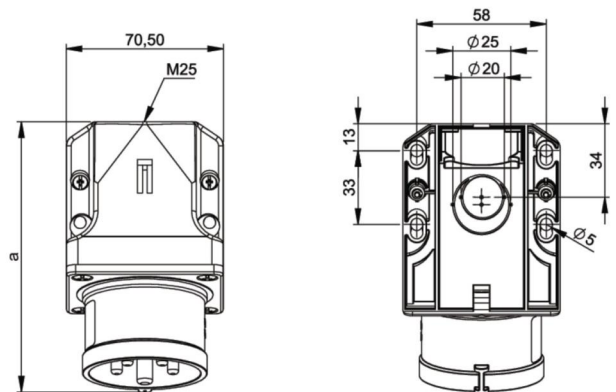


PCE data sheet

article#	517-9v
article description	CEE-wall mounted plug 16A 7p 9h IP44/IP54
description long	CEE-wall mounted plug 16A 7p 9h IP44/IP54 housing material: PA6 rated current: 16A number of poles: 7 (6P+PE) clock-position: 9h rated voltage/frequency: 220-250V~ / 50+60Hz contacts: brass nickel plated connection technology: screw terminals IP protection class: IP44/IP54
GTIN (EAN)	9003399059193
country of origin	AT
customs number	85366990
net weight	0.235 kg
packaging quantity	10

ETIM 7.0	EC001319
IEC-amperage	16 A
Voltage acc. EN 60309-2	200-250 V (50+60 Hz) blue
Number of poles	7
Clock hour position	9 h
Identification colour	Blue
Degree of protection (IP)	IP54
Connection system	Schraubklemme
Construction type	Surface mounted plug
Angle of plug	Angled
Material	Plastic



b=Höhe/height
Neigung/angle=15°



www.manufacturer-safety.info