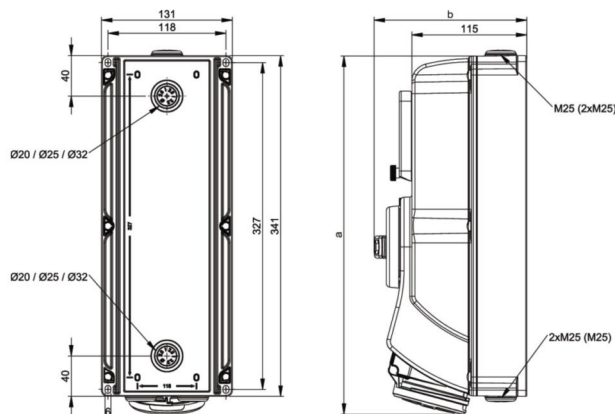


# PCE data sheet

article#	<b>7814-6</b>
article description	<b>CEE-switched interlocked socket DIN 16A 4p 6h IP44/IP54</b>
description long	CEE-switched interlocked socket DIN 16A 4p 6h IP44/IP54 housing material: PC/ABS rated current: 16A number of poles: 4 (3P+PE) clock-position: 6h rated voltage/frequency: 380-415V~ / 50+60Hz contacts: brass nickel plated connection technology: screw terminals wall mounting, mechanical interlock, incl. holder for Neozed fuses switch: ON/OFF PCE-Merz ML0; EN 60947-3; AC22A, 10kA cable entry: top, bottom or rear (incl. threaded blind cap) IP protection class: IP44/IP54
GTIN (EAN)	9003399119125
country of origin	AT
customs number	85366990
net weight	1.712 kg
packaging quantity	1

ETIM 7.0	EC001324
IEC-amperage	16 A
Number of poles	4
Voltage acc. EN 60309-2	400 V (50+60 Hz) red
Clock hour position	6 h
Identification colour	Red
Degree of protection (IP)	IP54
Switch	Mechanical locking
Empty locations on mounting rail	
Material housing	Plastic
Model	Base unit and cover
Protection	Cylindrical fuse
Contact material	CuZn
Surface finish contacts	Nickel-plated

wire flexible	1,5-2,5 mm <sup>2</sup>
wire solid	1,5-4 mm <sup>2</sup>



[www.manufacturer-safety.info](http://www.manufacturer-safety.info)