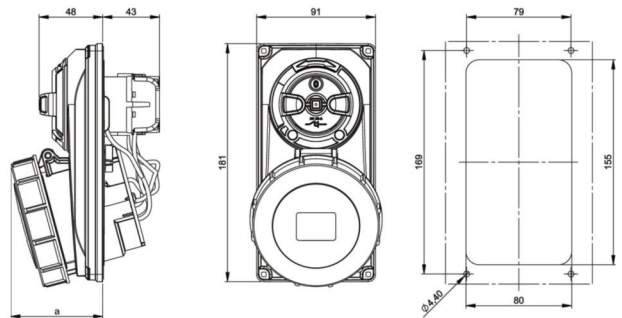


PCE data sheet

article#	60252-6
article description	CEE-switched interlocked socket compact 32A 5p 6h IP66/IP67
description long	CEE-switched interlocked socket compact 32A 5p 6h IP66/IP67 housing material: PA6 rated current: 32A number of poles: 5 (3P+N+PE) clock-position: 6h rated voltage/frequency: 200/346V~ - 240/415V~ / 50+60Hz contacts: brass nickel plated connection technology: screw terminals panel mounting, mechanical interlock switch: ON/OFF PCE-Merz MLO; EN 60947-3; AC22A, 10kA IP protection class: IP66/IP67
GTIN (EAN)	9003399174162
country of origin	AT
customs number	85366990
net weight	0.579 kg
packaging quantity	1

ETIM 7.0	EC001324
IEC-amperage	32 A
Number of poles	5
Voltage acc. EN 60309-2	400 V (50+60 Hz) red
Clock hour position	6 h
Identification colour	Red
Degree of protection (IP)	IP67
Switch	Mechanical locking
Material housing	Plastic
Model	Cover
Contact material	CuZn
Surface finish contacts	Nickel-plated

wire flexible	2,5-6 mm ²
wire solid	2,5-10 mm ²



www.manufacturer-safety.info