

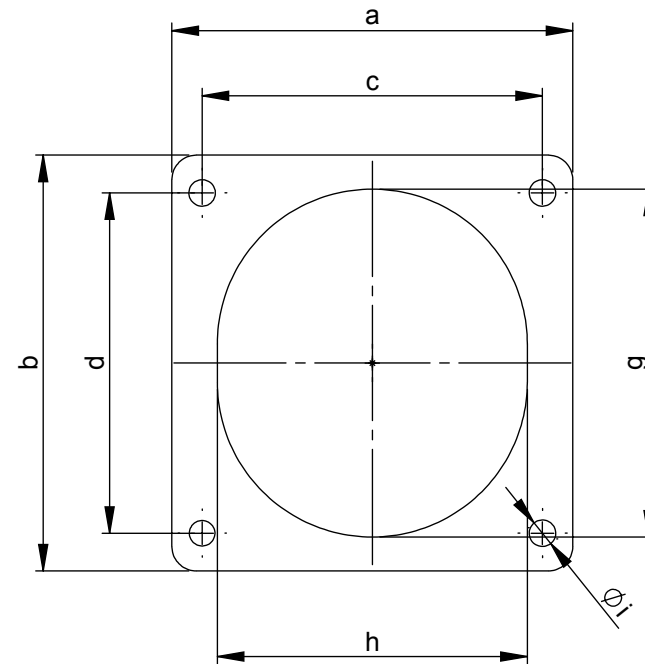
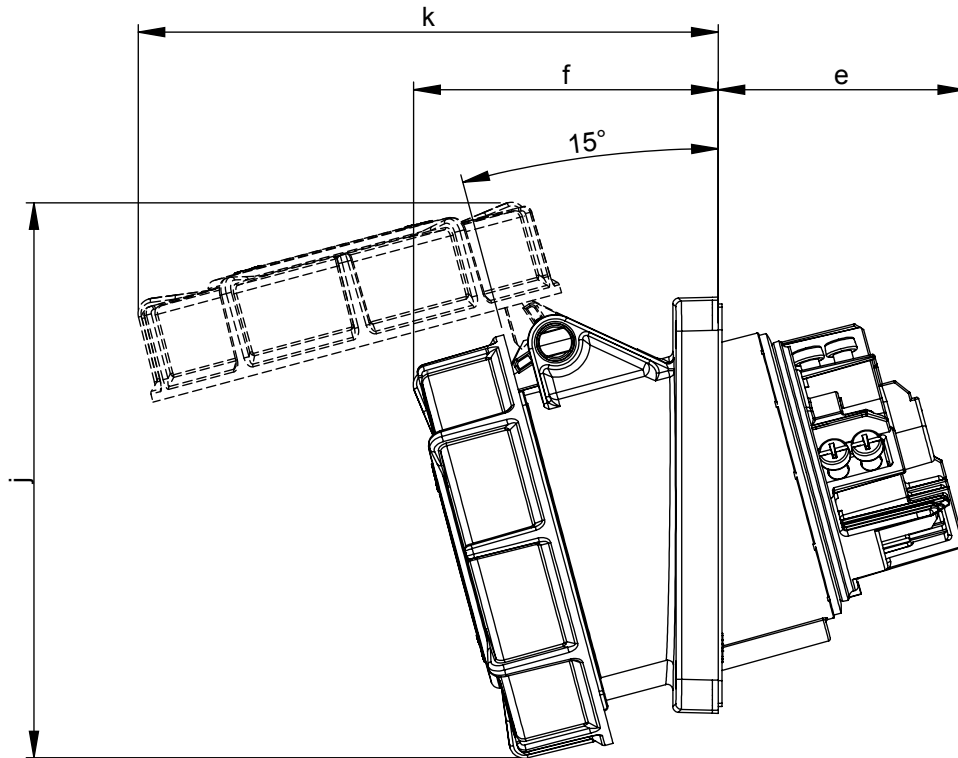
## Maßskizze / dimensional drawing

Benennung: Anbausteckdose schräg 63A IP66/67 106x110 POWERTWIST

description: Flanged socket sloping 63A IP66/67 106x110 POWERTWIST

Teilenummer / part number: 433-\*fd, 434-\*fd, 435-\*fd

PCE



Ampere	63		
Pole	3	4	5
a [mm]	106	106	106
b [mm]	110	110	110
c [mm]	90	90	90
d [mm]	90	90	90
e [mm]	64	64	64
f [mm]	80	80	80
g [mm]	92	92	92
h [mm]	82	82	82
i [mm]	7	7	7
j [mm]	148	148	148
k [mm]	154	154	154