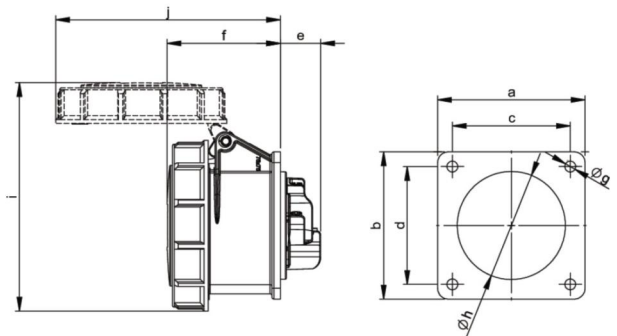


PCE data sheet

article#	3152-10v
article description	CEE-flanged socket straight (75x75mm) 16A 5p 10h IP67
description long	CEE-flanged socket straight (75x75mm) 16A 5p 10h IP67 housing material: PA6 rated current: 16A number of poles: 5 (3P+N+PE) clock-position: 10h rated voltage/frequency: >50V~ / 100-300Hz contacts: brass nickel plated connection technology: screw terminals dimensions (flange/fixing center): 75x75 mm / 60x60 mm IP protection class: IP67
GTIN (EAN)	9003399108075
country of origin	AT
customs number	85366990
net weight	0.183 kg
packaging quantity	10

ETIM 7.0	EC001317
IEC-amperage	16 A
Voltage acc. EN 60309-2	50-500 V (100-300 Hz) green
Number of poles	5
Clock hour position	10
Identification colour	Green
Degree of protection (IP)	IP67
Connection system	Screw terminal
Angle of plug	Straight
Material	Plastic
Contact material	CuZn
Surface finish contacts	Nickel-plated
Flange size vertical	75 mm
Drill hole distance vertical	60 mm
Flange size horizontal	75 mm
Drill hole distance horizontal	60 mm

wire flexible	1-2,5 mm ²
wire solid	1-4 mm ²
contact screws	100 Ncm
dismantling length	50 mm
stripping length	10-12 mm



www.manufacturer-safety.info