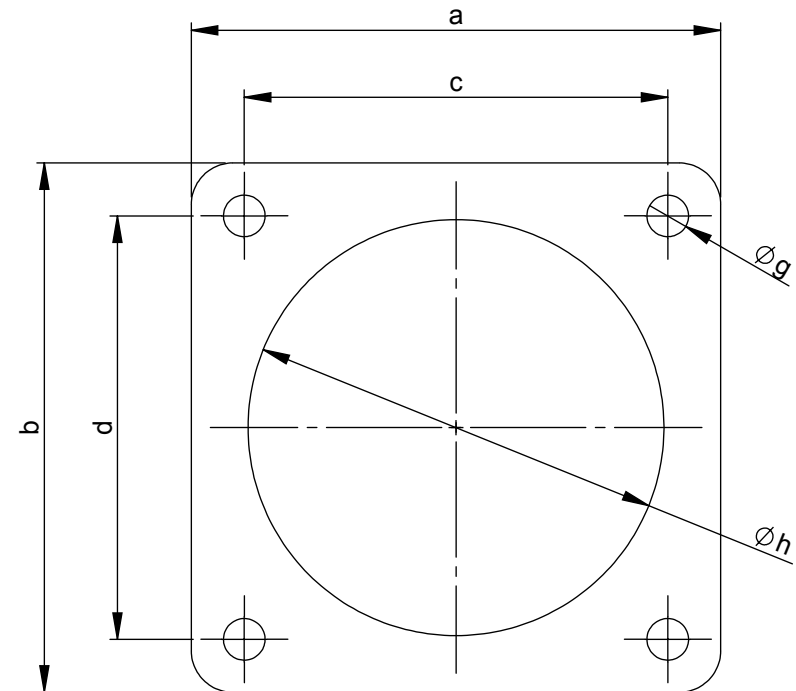
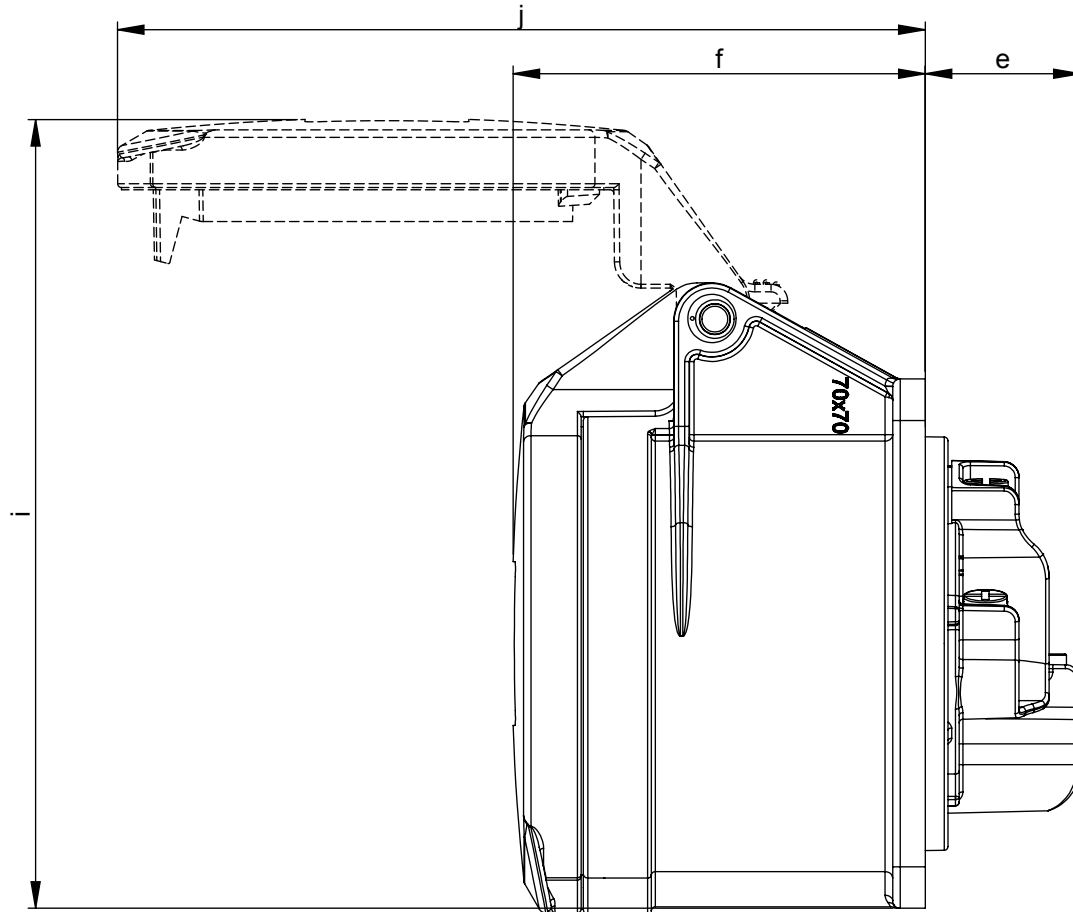


Maßskizze / dimensional drawing

Benennung: Anbausteckdose gerade IP44 70x70

description: Flanged socket straight IP44 70x70

Teilenummer / part number: 313-*, 314-*, 315-*, 323-*, 324-*, 325-*



| Ampere | 16 | | | 32 | | |
|------------|-----|-----|-----|-----|-----|-----|
| Pole | 3 | 4 | 5 | 3 | 4 | 5 |
| a x b [mm] | 70 | 70 | 70 | 70 | 70 | 70 |
| c x d [mm] | 56 | 56 | 56 | 56 | 56 | 56 |
| e [mm] | 21 | 21 | 21 | 23 | 23 | 23 |
| f [mm] | 55 | 55 | 55 | 67 | 67 | 67 |
| g [mm] | 5,5 | 5,5 | 5,5 | 5,5 | 5,5 | 5,5 |
| h [mm] | 43 | 45 | 55 | 55 | 55 | 58 |
| i [mm] | 87 | 101 | 105 | 112 | 112 | 108 |
| j [mm] | 101 | 101 | 107 | 122 | 122 | 136 |