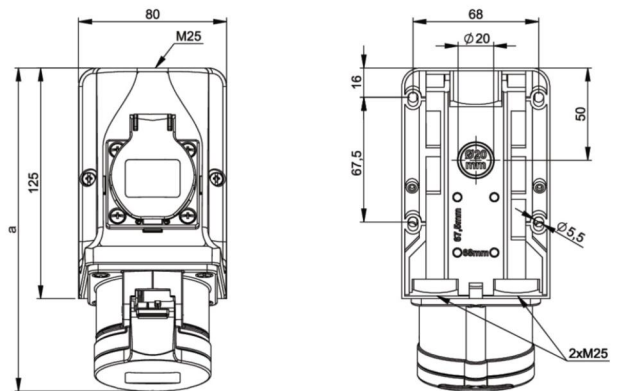


PCE data sheet

article#	9225-6fw
article description	CEE-wall mounted socket + safety socket COMBO 32A 5p 6h IP44
description long	CEE-wall mounted socket + safety socket COMBO 32A 5p 6h IP44 housing material: PA6 rated current: 32A number of poles: 5 (3P+N+PE) clock-position: 6h rated voltage/frequency: 200/346V~ - 240/415V~ / 50+60Hz contacts: brass connection technology: screw terminals cable entry: top, 2x bottom, rear with safety socket (French/Belgian standard) - not wired IP protection class: IP44
GTIN (EAN)	9003399232886
country of origin	AT
customs number	85366990
net weight	0.435 kg
packaging quantity	5

ETIM 7.0	EC000379
CEE socket outlet 16 A	
CEE socket outlet 32 A	1x32A5p400V
Number of socket outlets with protective contact	1
Other fixtures and/or empty locations	
Material housing	Plastic
Handling	Wall mounting
Degree of protection (IP)	IP44
Colour	Grey

wire flexible	2,5-6 mm ²
wire solid	2,5-10 mm ²
contact screws	110 Ncm
dismantling length	50 mm
stripping length	12-14 mm



b=Höhe/height
Neigung/angle=15°



www.manufacturer-safety.info