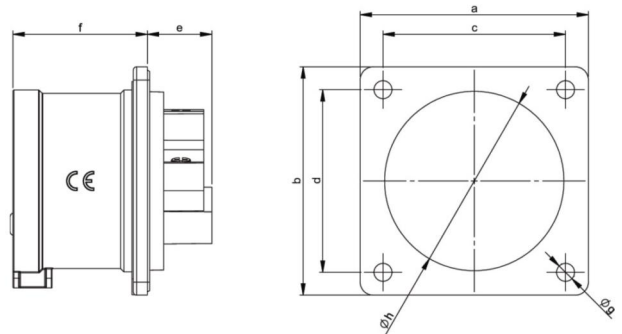


PCE data sheet

| | |
|------------------------|---|
| article# | 623-9 |
| article description | CEE-flanged plug 70x70 straight 32A 3p 9h IP44 |
| description long | CEE-flanged plug 70x70 straight 32A 3p 9h IP44 housing material: PA6 rated current: 32A number of poles: 3 (2P+PE) clock-position: 9h rated voltage/frequency: 380-415V~ / 50+60Hz contacts: brass connection technology: screw terminals dimensions (flange/fixing center): 70x70 mm / 56x56 mm IP protection class: IP44 |
| GTIN (EAN) | 9003399067990 |
| country of origin | AT |
| customs number | 85366990 |
| net weight | 0.125 kg |
| packaging quantity | 10 |
| minimum order quantity | 10 |

| | |
|---------------------------|--------------------------|
| ETIM 7.0 | EC001319 |
| IEC-amperage | 32 A |
| Voltage acc. EN 60309-2 | 380-415 V (50+60 Hz) red |
| Number of poles | 3 |
| Clock hour position | 9 h |
| Identification colour | Red |
| Degree of protection (IP) | IP44 |
| Connection system | Screwed terminal |
| Construction type | Built-up device plug |
| Angle of plug | Straight |
| Material | Plastic |
| Contact material | CuZn |
| Surface finish contacts | Untreated |

| | |
|--------------------|------------------------|
| wire flexible | 2,5-6 mm ² |
| wire solid | 2,5-10 mm ² |
| contact screws | 110 Ncm |
| dismantling length | 50 mm |
| stripping length | 12-14 mm |



www.manufacturer-safety.info