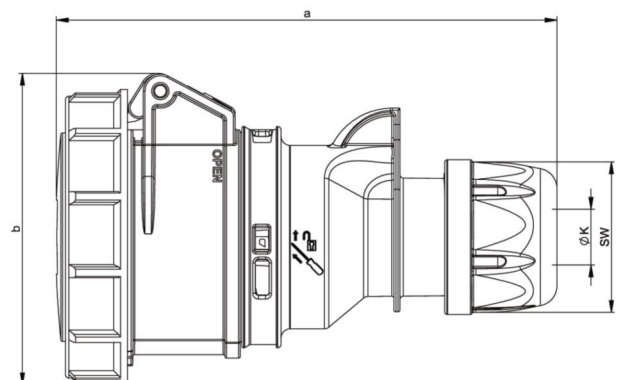


## PCE data sheet

|                        |  |
|------------------------|--|
| article#               | <b>2132-6v</b>   |
| article description    | <b>CEE-connector 16A 3p 6h IP67 SHARK</b>  |
| description long       | CEE-connector 16A 3p 6h IP67 SHARK<br>housing material: PA6<br>rated current: 16A<br>number of poles: 3 (2P+PE)<br>clock-position: 6h<br>rated voltage/frequency: 200-250V~ / 50+60Hz<br>contacts: brass nickel plated<br>connection technology: screw terminals<br>IP protection class: IP66/IP67 |
| GTIN (EAN)             | 9003399124945  |
| country of origin      | AT   |
| customs number         | 85366990   |
| net weight             | 0.155 kg   |
| packaging quantity     | 10   |
| minimum order quantity | 10   |

|                           |                       |
|---------------------------|-----------------------|
| ETIM 7.0                  | EC001320              |
| IEC-amperage              | 16 A                  |
| Number of poles           | 3                     |
| Voltage acc. EN 60309-2   | 230 V (50+60 Hz) blue |
| Clock hour position       | 6 h                   |
| Identification colour     | Blue                  |
| Degree of protection (IP) | IP67                  |
| Connection system         | Screwed terminal      |
| Angle of plug             | Straight              |
| Cable entry               | Swivel                |
| Material                  | Plastic               |
| Contact material          | CuZn                  |
| Surface finish contacts   | Nickel-plated         |

|                    |                       |
|--------------------|-----------------------|
| a                  | 132 mm                |
| b                  | 78 mm                 |
| K (cable Ø)        | 6-15 mm               |
| SW                 | 42 mm                 |
| wire flexible      | 1-2,5 mm <sup>2</sup> |
| contact screws     | 100 Ncm               |
| strain relief      | 500 Ncm               |
| dismantling length | 50 mm                 |
| stripping length   | 10-12 mm              |



[www.manufacturer-safety.info](http://www.manufacturer-safety.info)