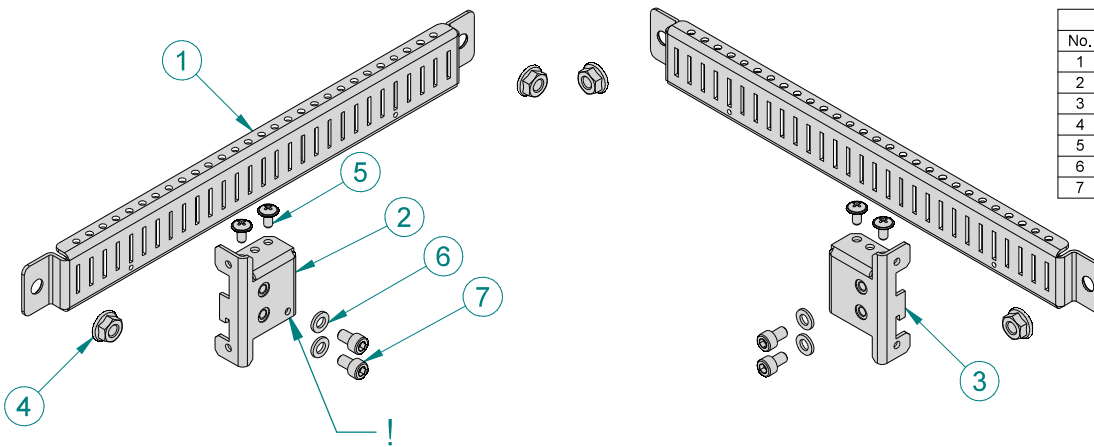
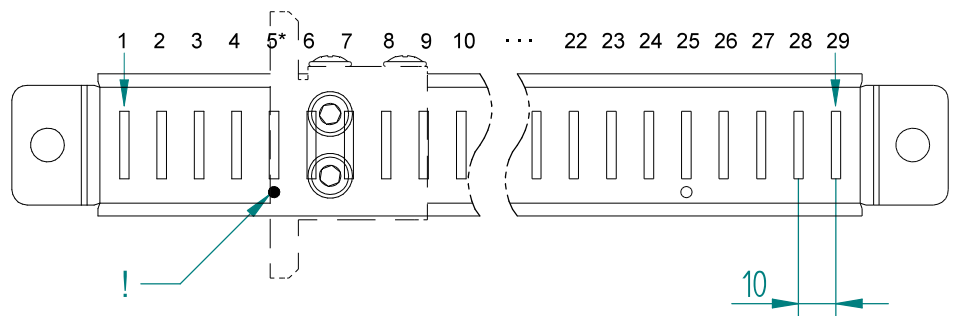
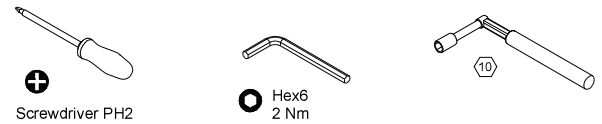
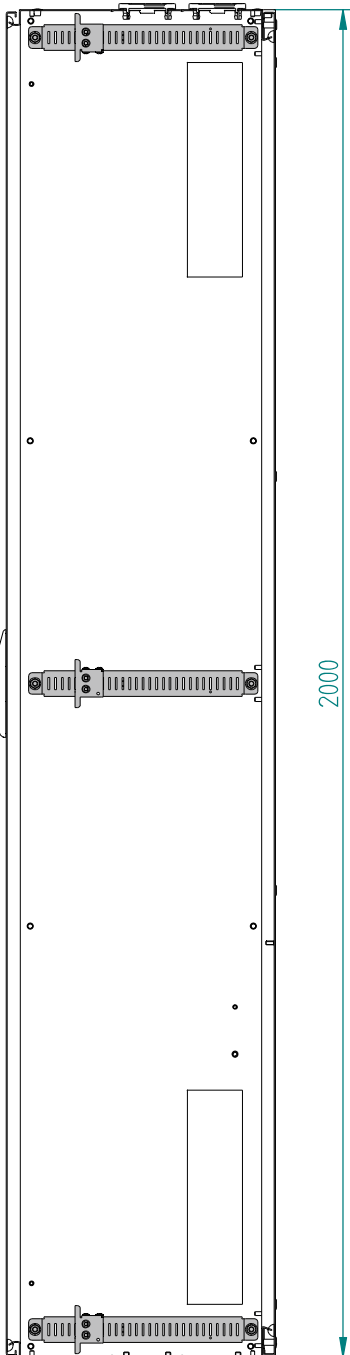


UW-BCR 4 001338207



UW-BCR 4 001338207			
No.	Type ETI	Name	Pcs.
1	UW-BCR-4-C	Holder	2
2	CR-CP-L	Holder	1
3	CR-CP-P	Holder	1
4	AN-FSH 8	Nut flange serat DIN6923 Zn	4
5	AST 4.8x9.5	Tapping screw	4
6	AW-R 6	Washer M6 DIN126 Zn	4
7	AS-SH 6x10	Screw M6x10 DIN912 Zn	4

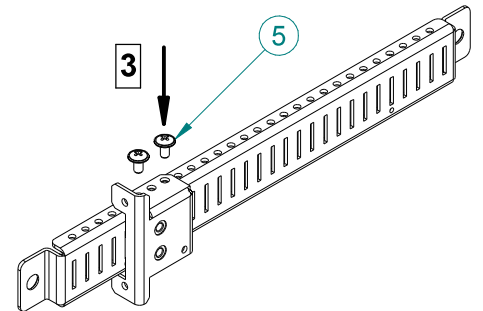
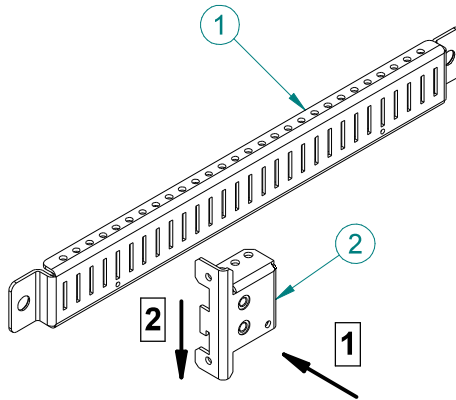
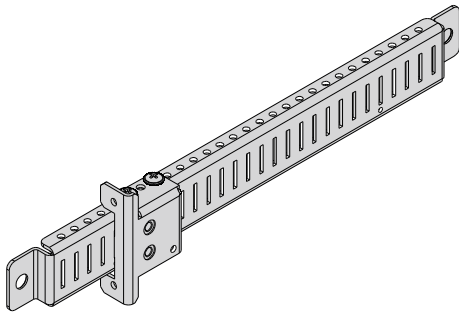


UW-BCR 4			
Position	A	B	C
1	61 mm	316 mm	334 mm
2	71 mm	306 mm	324 mm
3	81 mm	296 mm	314 mm
4	91 mm	286 mm	304 mm
5*	101 mm	276 mm	294 mm
6	111 mm	266 mm	284 mm
7	121 mm	256 mm	274 mm
8	131 mm	246 mm	264 mm
9	141 mm	236 mm	254 mm
10	151 mm	226 mm	244 mm
...
22	271 mm	106 mm	124 mm
23	281 mm	96 mm	114 mm
24	291 mm	86 mm	104 mm
25	301 mm	76 mm	94 mm
26	311 mm	66 mm	84 mm
27	321 mm	56 mm	74 mm
28	331 mm	46 mm	64 mm
29	341 mm	36 mm	54 mm

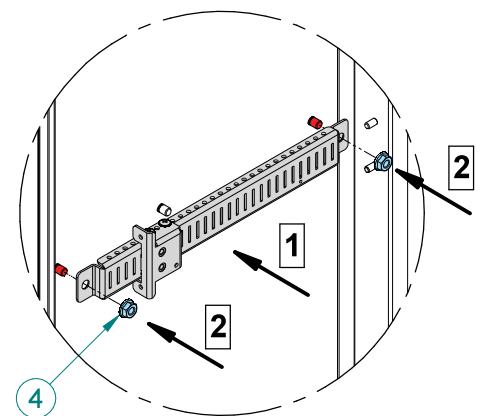
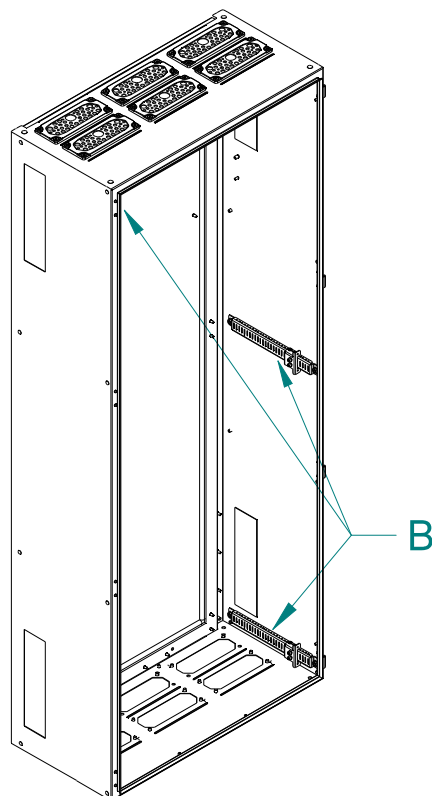
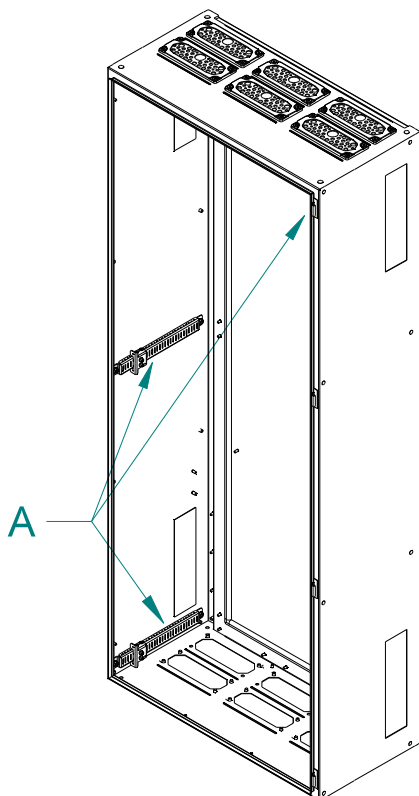
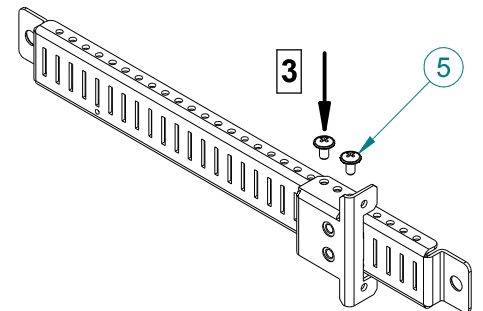
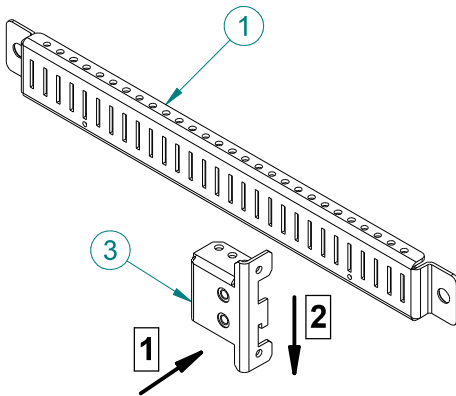
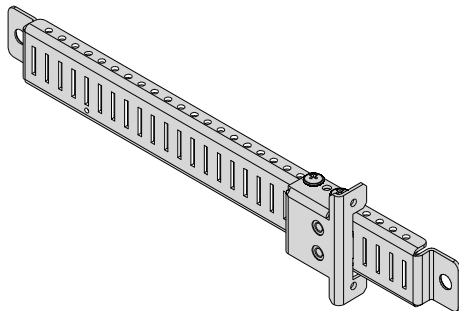
* basic position

1

A



B



2

