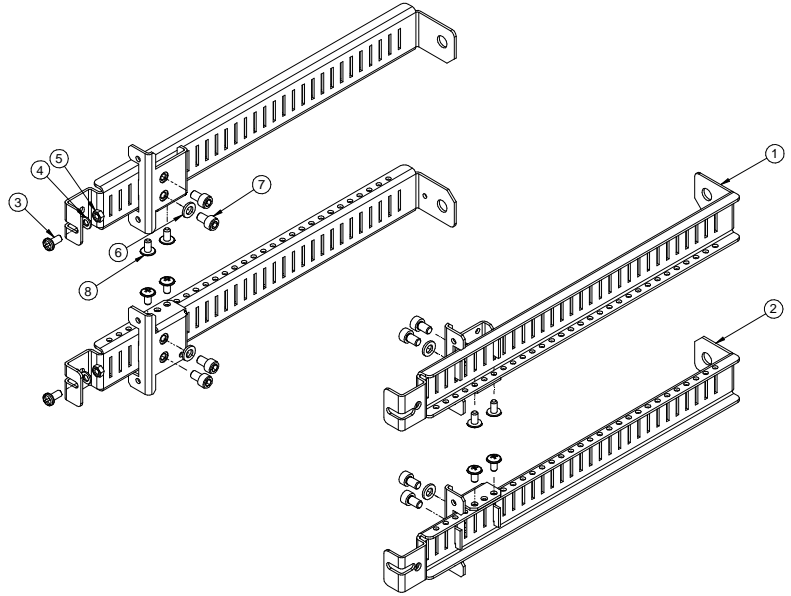


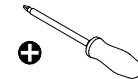
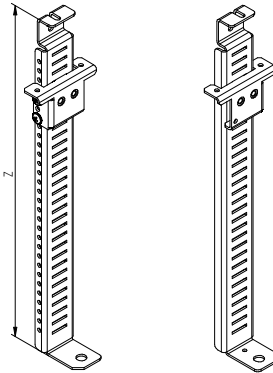
UW-GT

- (GB) Mounting instructions
- (DE) Montageanleitung
- (SI) Navodilo za montažo
- (PL) Instrukcje montażu
- (HR) Upute za montažu
- (CZ) Montážní návod
- (SK) Navod na montáž
- (HU) Szereles utmutató
- (LT) Montavimo instrukcija
- (RU) Инструкция за монтаж
- (LV) Montāžas instrukcija
- (EST) Paigaldusjuhend



| Type | Z | (1) | Pcs. | (2) | Pcs. |
|-----------|--------|--------------|------|--------------|------|
| UW-GT 300 | 259 mm | UW-GT 300L-W | 2 | UW-GT 300P-W | 2 |
| UW-GT 400 | 359 mm | UW-GT 400L-W | 2 | UW-GT 400P-W | 2 |

| UW-GT | | | |
|-------|-------------|------------------------|------|
| No. | Type ETI | Name | Pcs. |
| 3 | AS-C 5x10 | Screw M5x10 DIN7985 Zn | 2 |
| 4 | AW-R 5 | Washer M5 DIN126 Zn | 2 |
| 5 | AN-H 5 | Nut M5 DIN934 Zn | 2 |
| 6 | AW-R 6 | Washer M6 DIN126 Zn | 4 |
| 7 | AS-SH 6x10 | Screw M6x10 DIN912 Zn | 8 |
| 8 | AST 4.8x9.5 | Tapping screw | 8 |



Screwdriver PH2
(Wkrętak PH2)

| | | |
|---|-------------|------------|
| 3 | AS-C 5x10 | 2,2-3,5 Nm |
| 8 | AST 4.8x9.5 | 3,0-3,4 Nm |

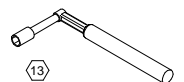


5 AN-H 5 2,2-3,5 Nm

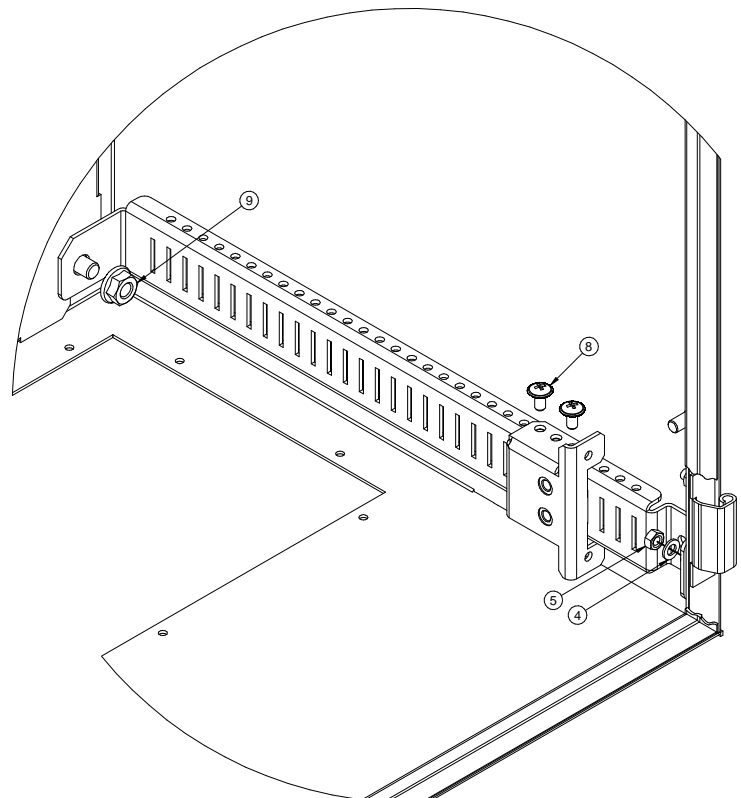
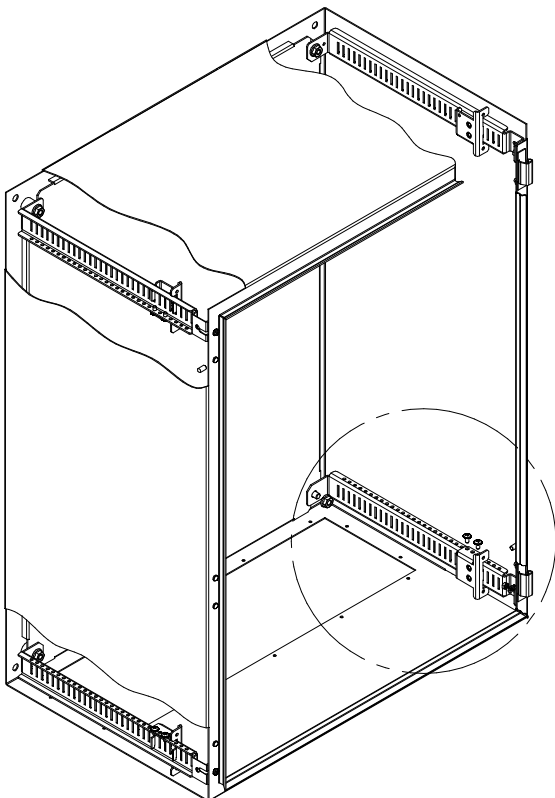


Hex5
(Klucz imbusowy 5)

| | | |
|---|------------|------------|
| 7 | AS-SH 6x10 | 3,6-6,0 Nm |
|---|------------|------------|

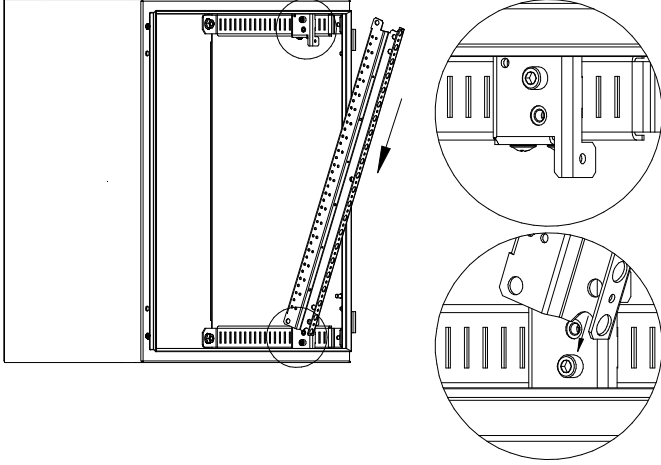


9 AN-FSH 8 10 Nm

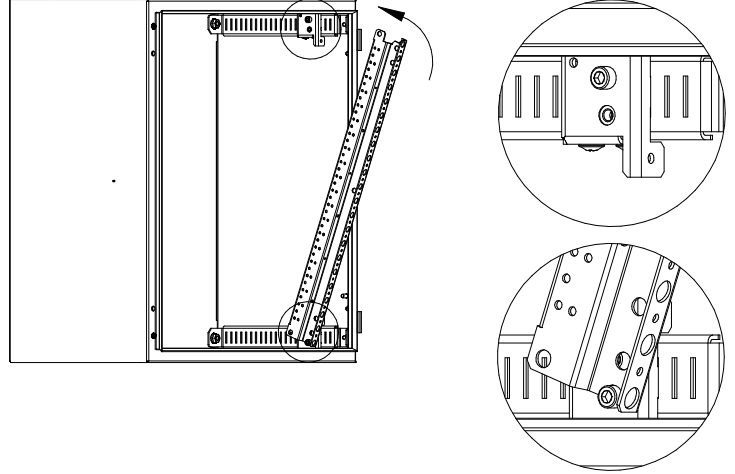


UW-GT

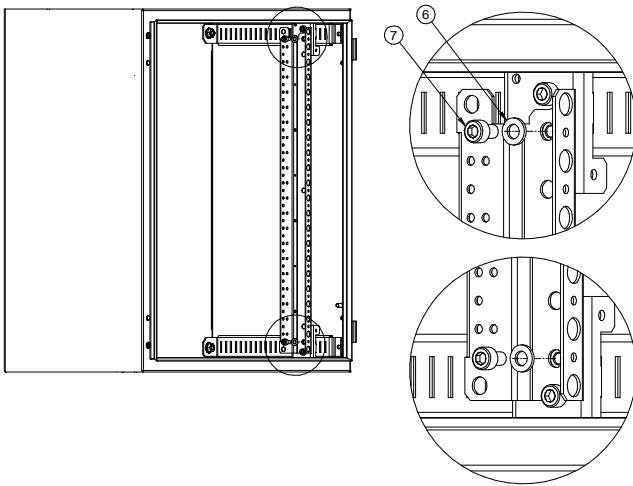
Step 1
(Krok 1)



Step 2
(Krok 2)



Step 3
(Krok 3)



Step 4
(Krok 4)

