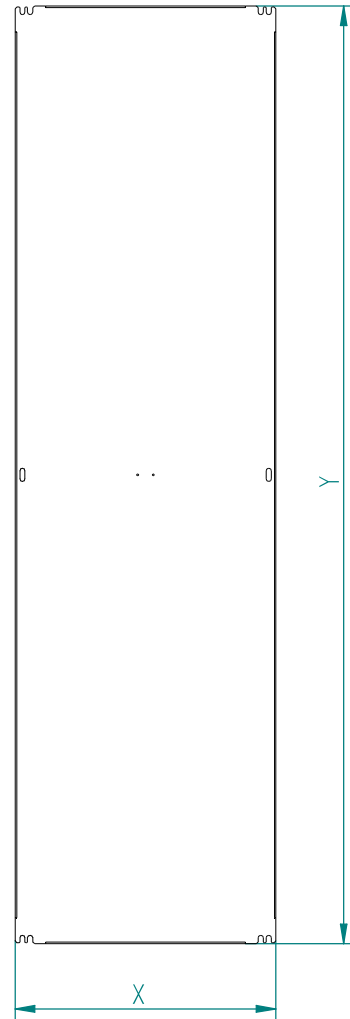
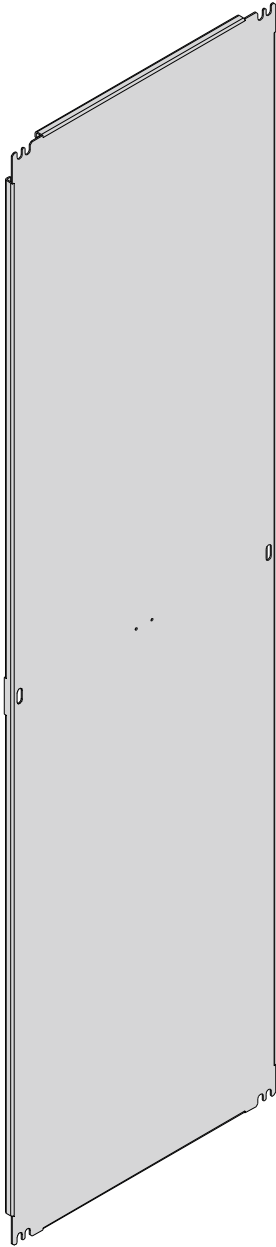


PM-G

Code No	Type	X [mm]	Y [mm]
001337970	PM-G 1-13	248	1940
001337972	PM-G 2-13	498	1940
001337974	PM-G 3-13	748	1940
001337976	PM-G 4-13	998	1940

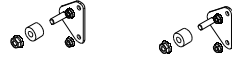
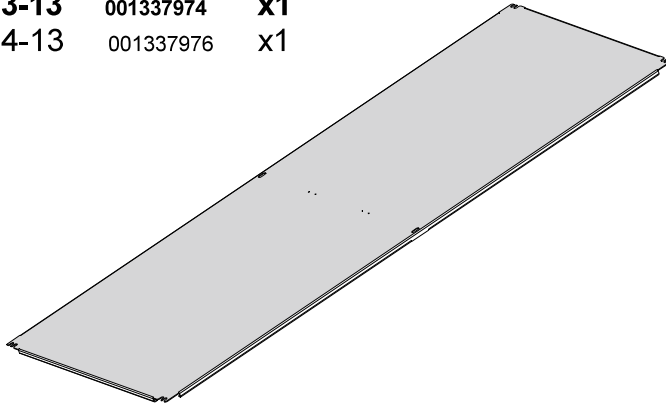


PM-G x-13

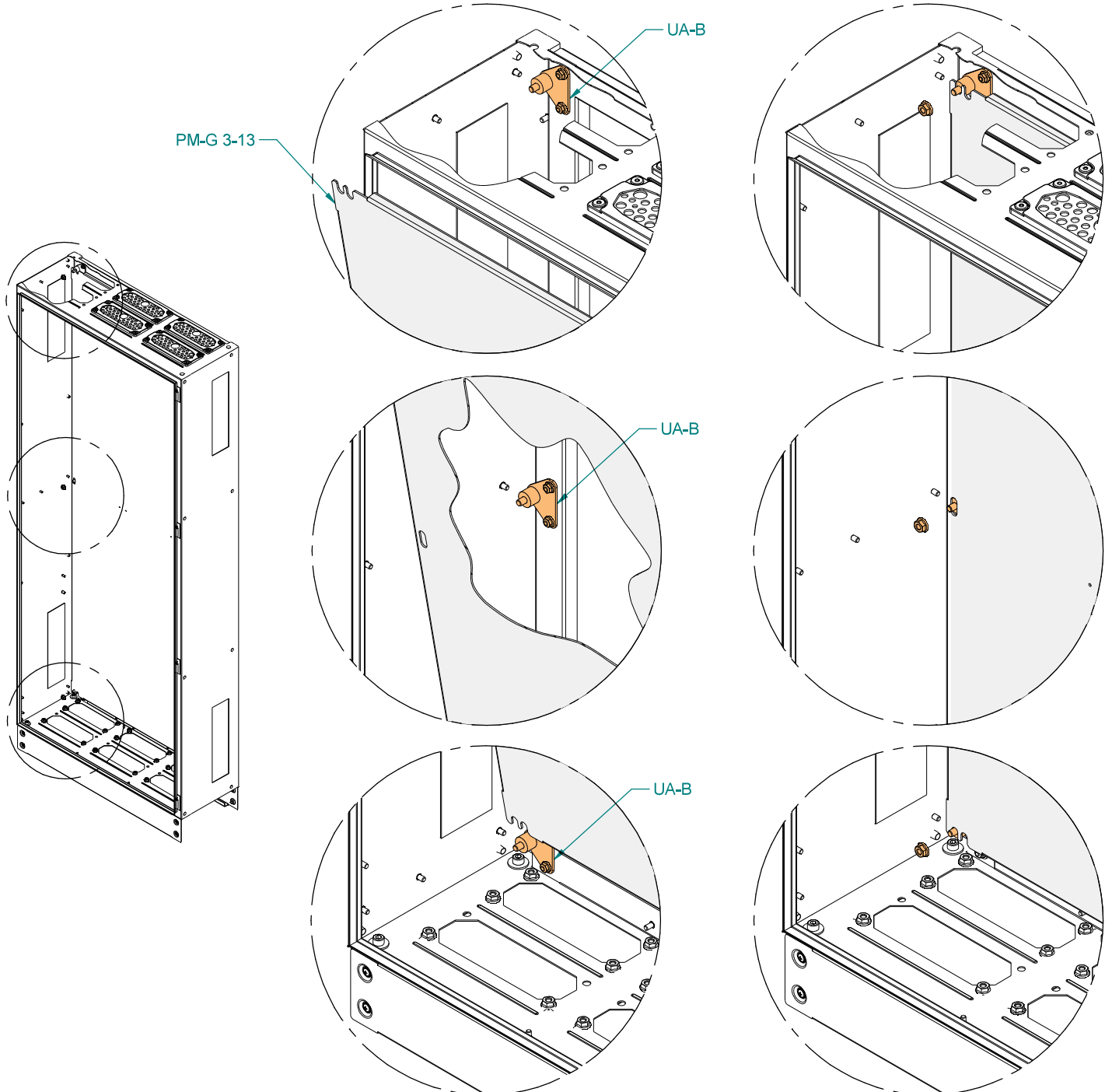
assembling option 1 - fixed

- PM-G 2-13 001337972 x1
- PM-G 3-13 001337974 x1**
- PM-G 4-13 001337976 x1

- UA-B 001338102 x3 (page 23)



PM-G 3-13 + UA-B



PM-G x-13

assembling option 2 - fixed

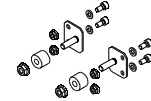
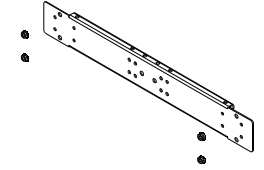
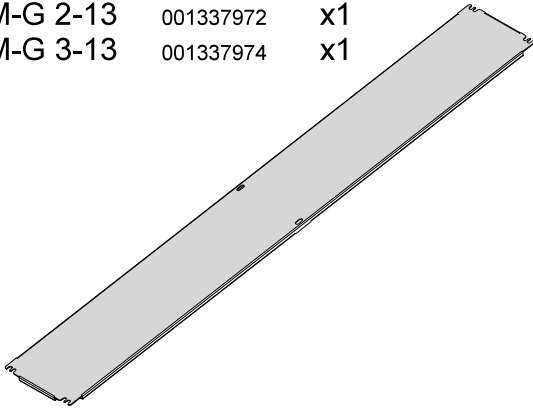
- PM-G 1-13** 001337970 **x1**
- PM-G 2-13** 001337972 **x1**
- PM-G 3-13** 001337974 **x1**

- UA-B** 001338102 **x1** (page 23)

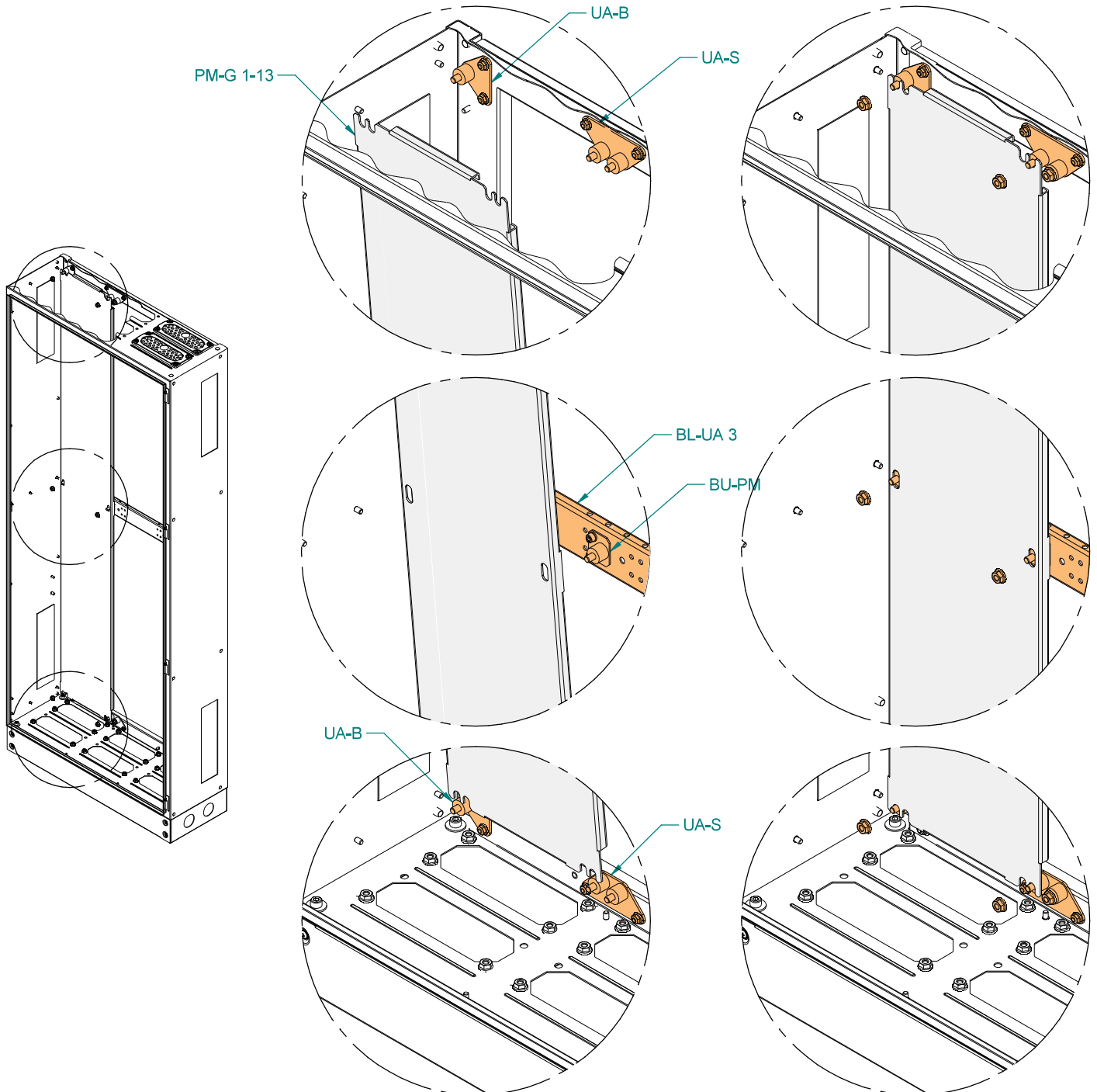
- BL-UA 2** 001338130 **x1** (page 29)
- BL-UA 3** 001338131 **x1** (page 29)
- BL-UA 4** 001338132 **x1** (page 29)

- UA-S** 001338104 **x1** (page 25)

- BU-PM** 001338160 **x1** (page 31)



PM-G 1-13 + UA-B + UA-S + BL-UA 3 + BU-PM

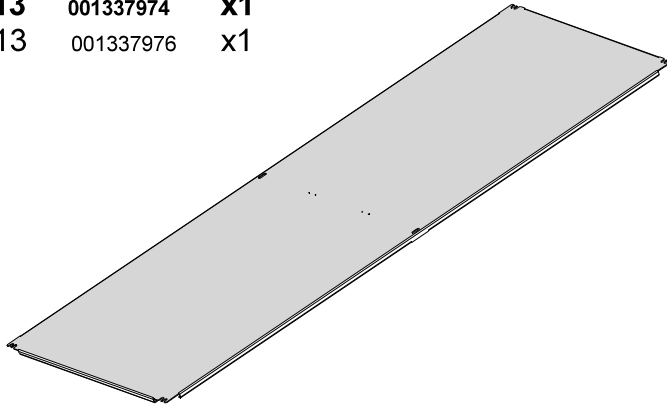
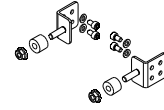


PM-G x-13

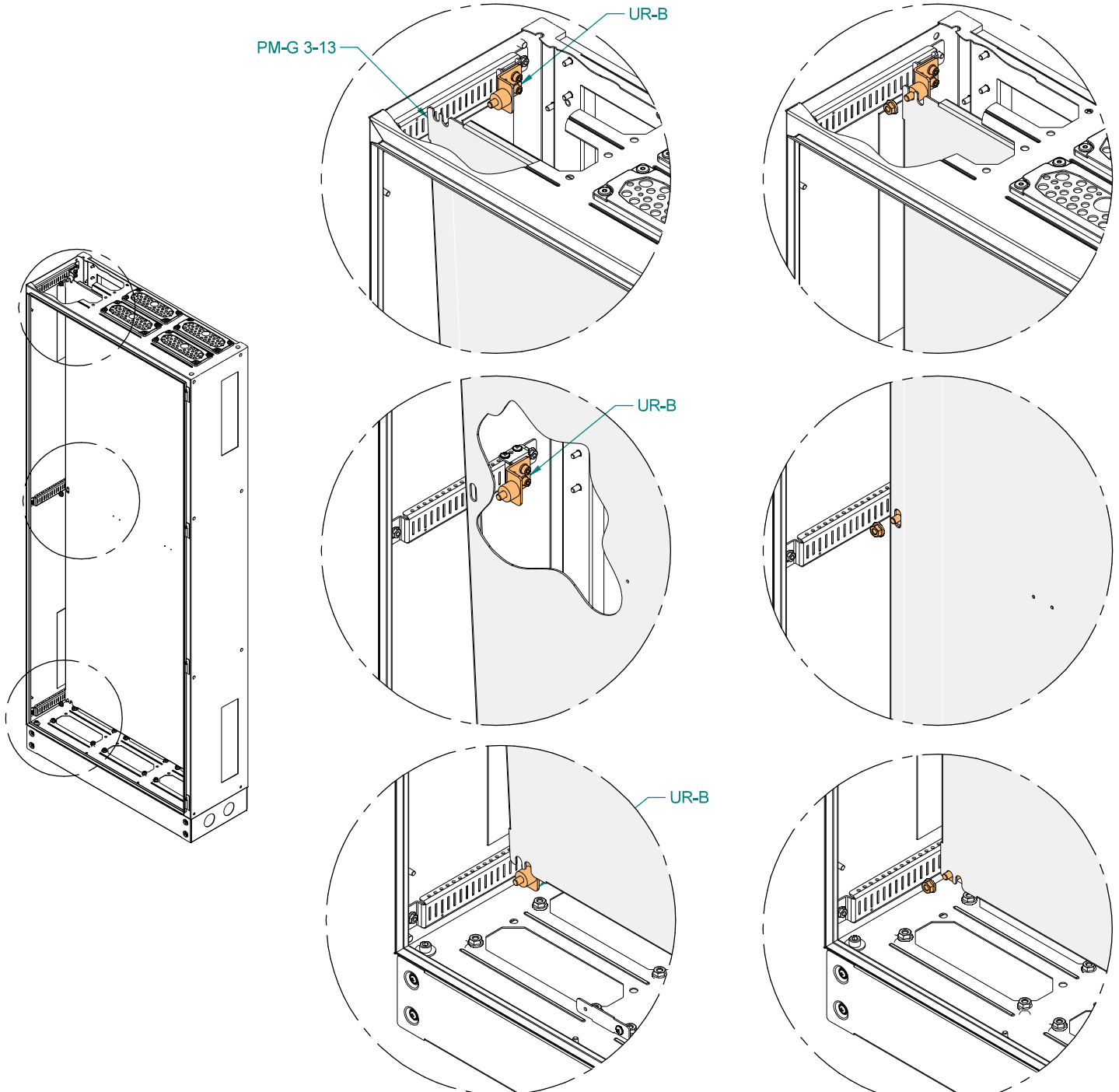
PM-G 2-13	001337972	x1
PM-G 3-13	001337974	x1
PM-G 4-13	001337976	x1

assembling option 3 - regulation

UR-B 001338115 x3 (page 26)



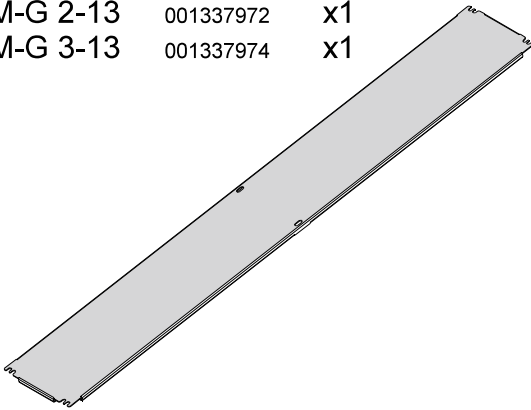
PM-G 3-13 + UR-B



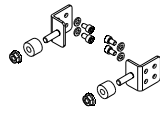
PM-G x-13

assembling option 4 - regulation

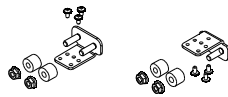
PM-G 1-13	001337970	x1
PM-G 2-13	001337972	x1
PM-G 3-13	001337974	x1



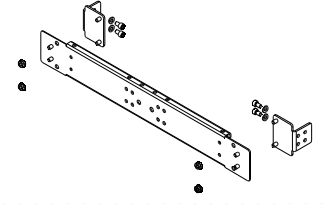
UR-B	001338115	x1	(page 26)
-------------	-----------	-----------	-----------



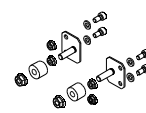
UR-S	001338117	x1	(page 28)
-------------	-----------	-----------	-----------



BL-UR 2	001338145	x1	(page 30)
BL-UR 3	001338146	x1	(page 30)
BL-UR 4	001338147	x1	(page 30)



BU-PM	001338160	x1	(page 31)
--------------	-----------	-----------	-----------



PM-G 1-13 + UR-B + UR-S + BL-UR 3 + BU-PM

