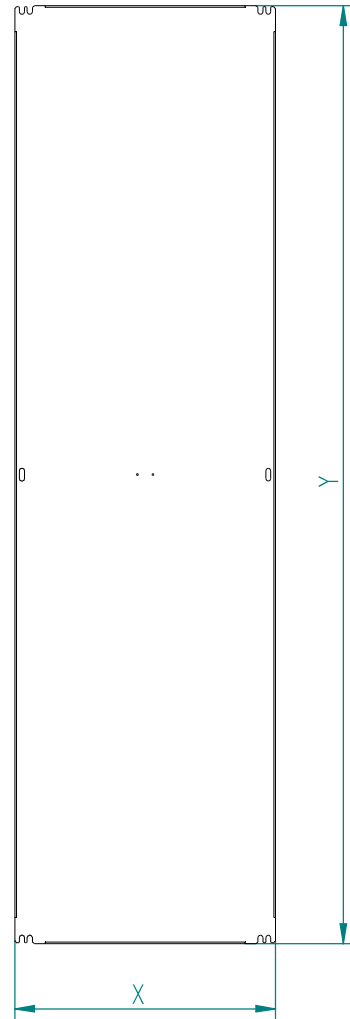
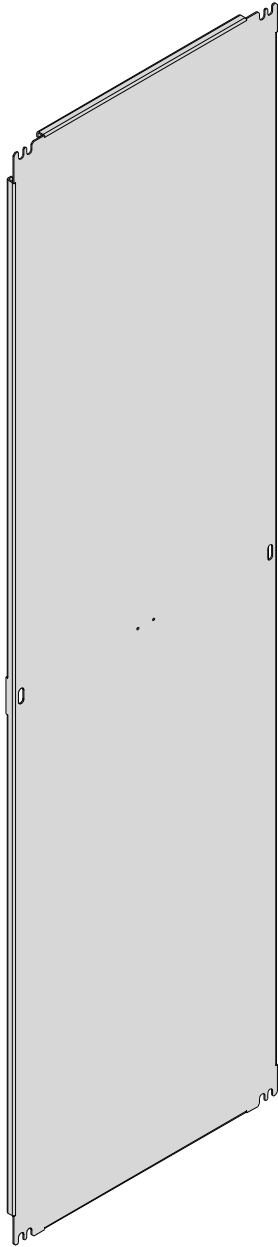


**PM-G**

Code No	Type	X [mm]	Y [mm]
001337963	PM-G 1-12	248	1790
001337965	PM-G 2-12	498	1790
001337967	PM-G 3-12	748	1790
001337969	PM-G 4-12	998	1790

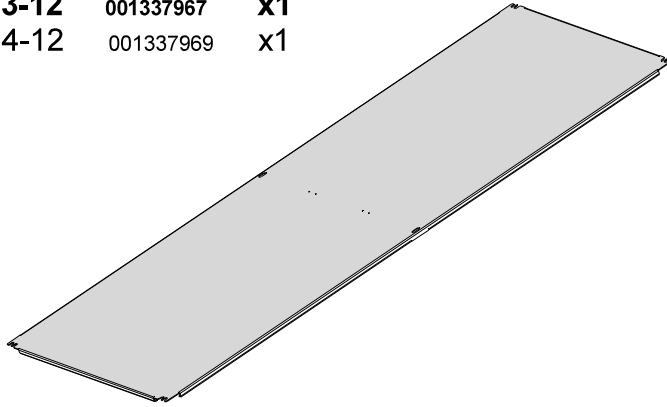


**PM-G x-12**

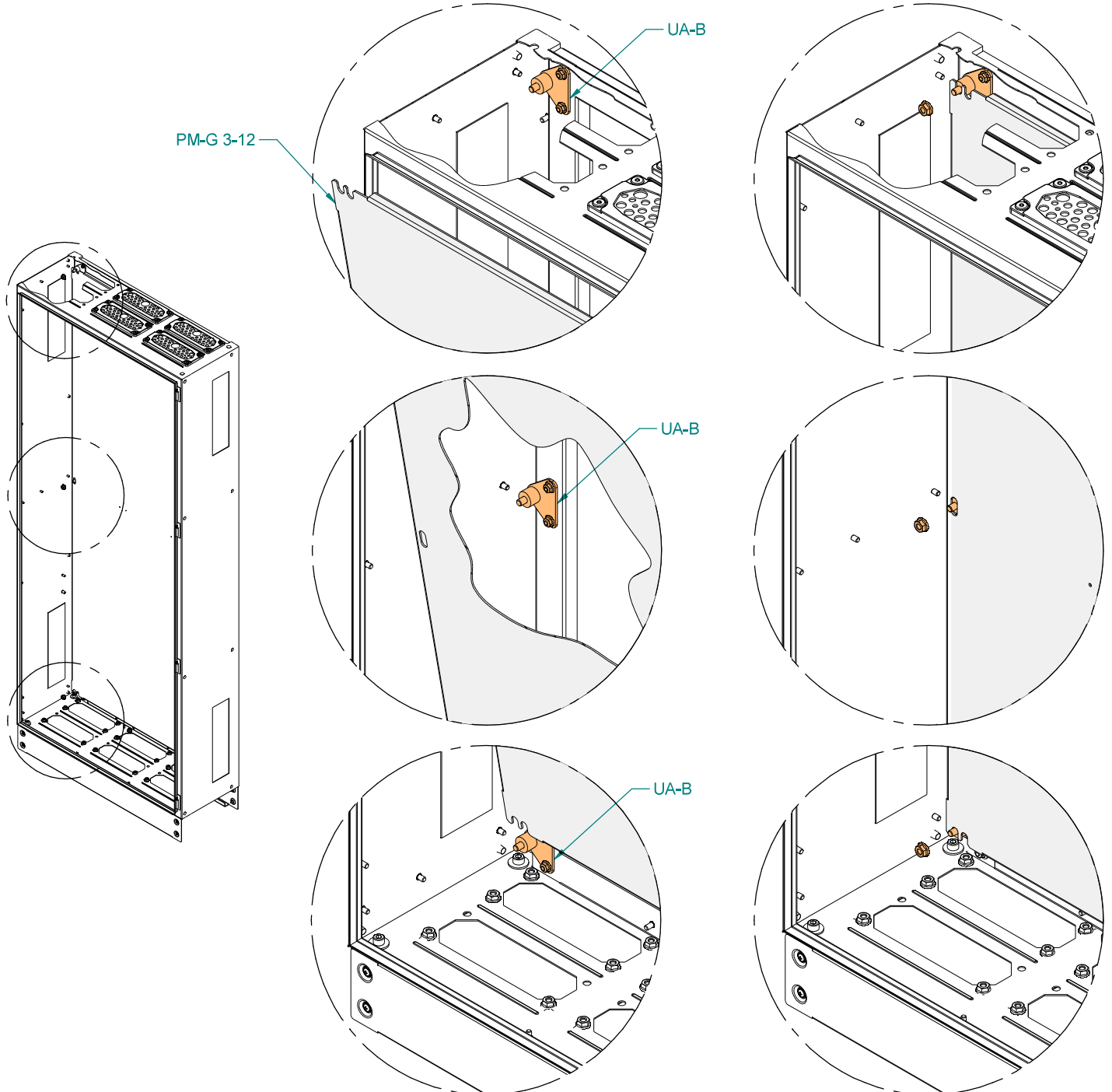
**assembling option 1 - fixed**

- PM-G 2-12 001337965 x1
- PM-G 3-12 001337967 x1**
- PM-G 4-12 001337969 x1

- UA-B 001338102 x3 (page 23)



**PM-G 3-12 + UA-B**



**PM-G x-12**

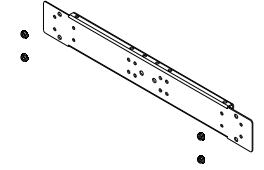
**assembling option 2 - fixed**

<b>PM-G 1-12</b>	001337963	<b>x1</b>
PM-G 2-12	001337965	x1
PM-G 3-12	001337967	x1

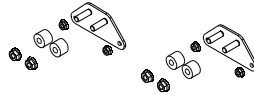
UA-B	001338102	x1 (page 23)
------	-----------	--------------



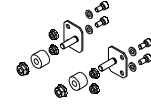
BL-UA 2	001338130	x1 (page 29)
BL-UA 3	001338131	x1 (page 29)
BL-UA 4	001338132	x1 (page 29)



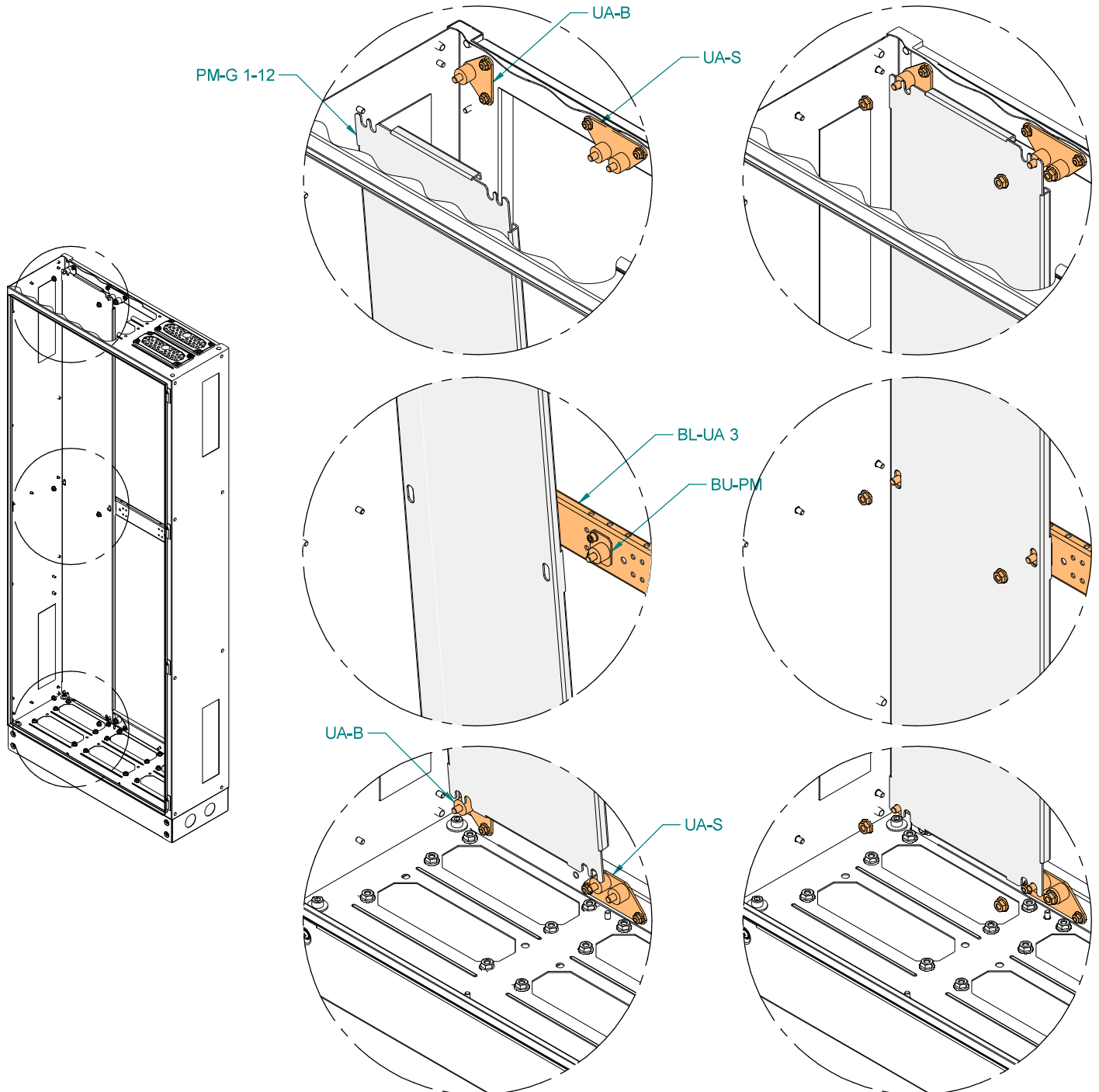
UA-S	001338104	x1 (page 25)
------	-----------	--------------



BU-PM	001338160	x1 (page 31)
-------	-----------	--------------



**PM-G 1-12 + UA-B + UA-S + BL-UA 3 + BU-PM**

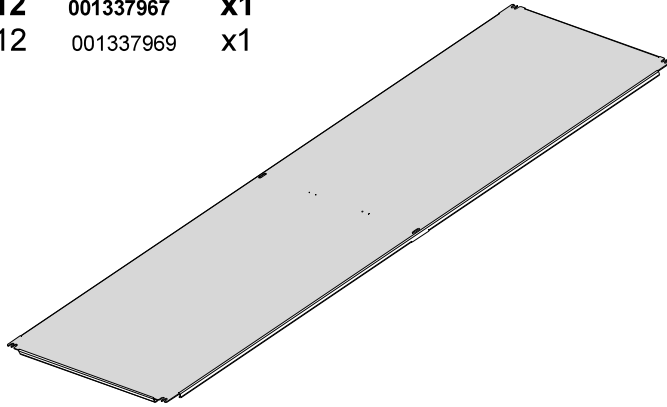
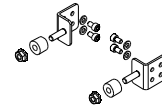


**PM-G x-12**

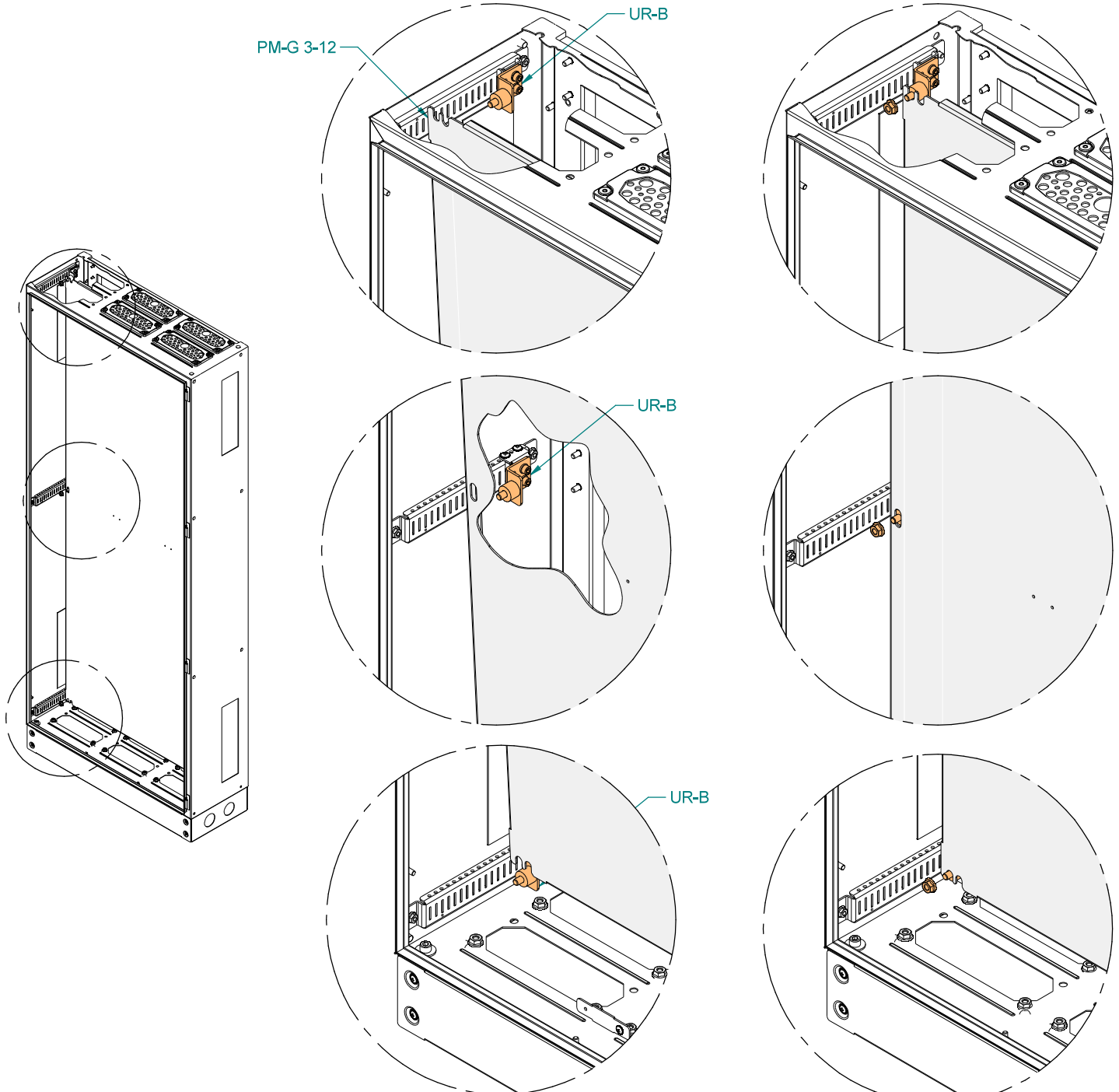
PM-G 2-12	001337965	x1
<b>PM-G 3-12</b>	<b>001337967</b>	<b>x1</b>
PM-G 4-12	001337969	x1

**assembling option 3 - regulation**

UR-B 001338115 x3 (page 26)



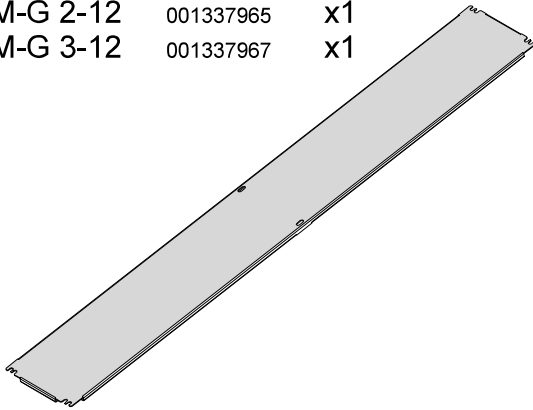
**PM-G 3-12 + UR-B**



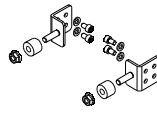
**PM-G x-12**

**assembling option 4 - regulation**

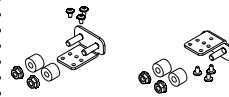
<b>PM-G 1-12</b>	001337963	<b>x1</b>
<b>PM-G 2-12</b>	001337965	<b>x1</b>
<b>PM-G 3-12</b>	001337967	<b>x1</b>



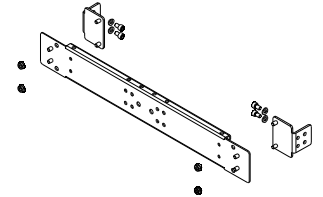
<b>UR-B</b>	001338115	<b>x1</b>	(page 26)
-------------	-----------	-----------	-----------



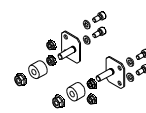
<b>UR-S</b>	001338117	<b>x1</b>	(page 28)
-------------	-----------	-----------	-----------



<b>BL-UR 2</b>	001338145	<b>x1</b>	(page 30)
<b>BL-UR 3</b>	<b>001338146</b>	<b>x1</b>	(page 30)
<b>BL-UR 4</b>	001338147	<b>x1</b>	(page 30)



<b>BU-PM</b>	001338160	<b>x1</b>	(page 31)
--------------	-----------	-----------	-----------



**PM-G 1-12 + UR-B + UR-S + BL-UR 3 + BU-PM**

