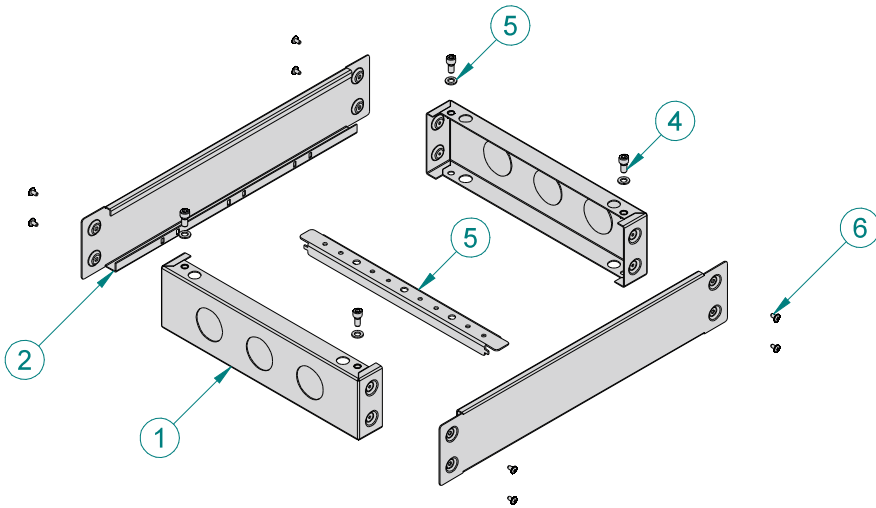
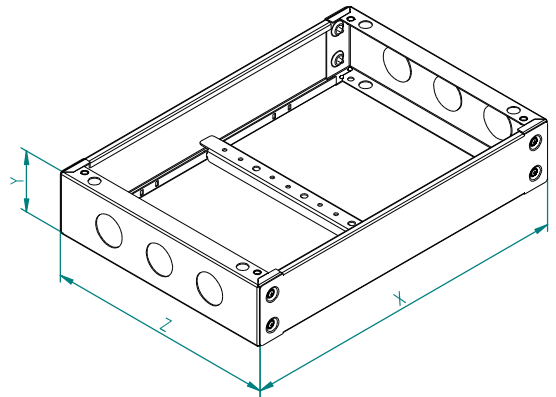


PH1



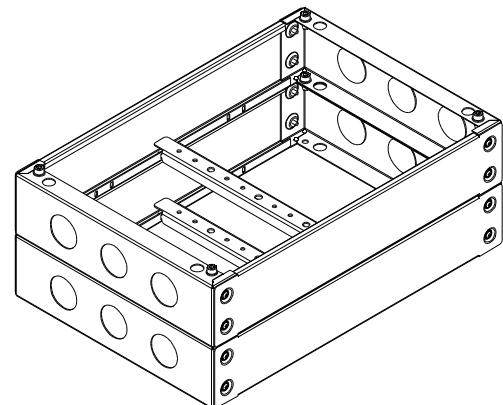
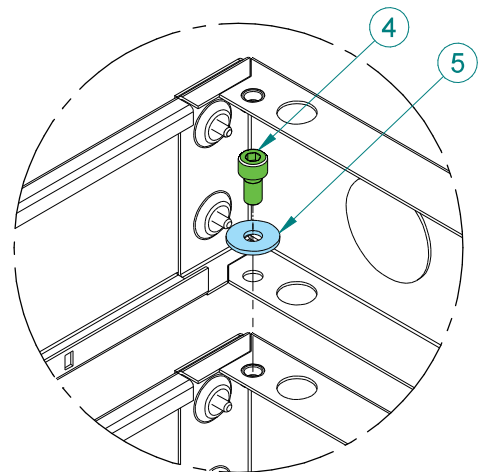
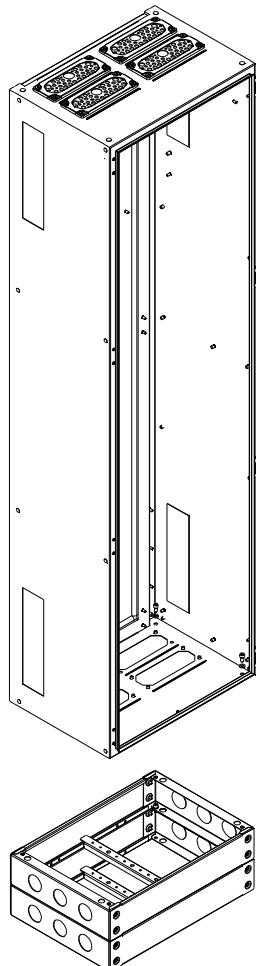
Code No	Type	X [mm]	Y [mm]	Z [mm]
001336918	PH1 D4 -W2	550	100	400
001336920	PH1 D4 -W3	800	100	400
001336922	PH1 D4 -W4	1050	100	400

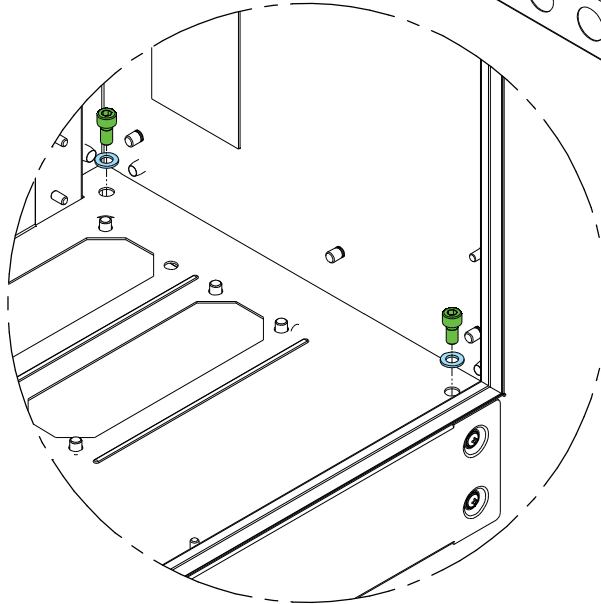
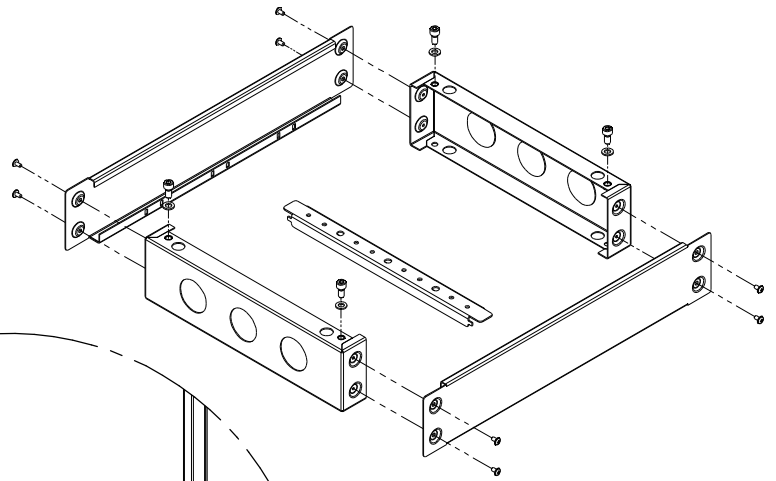
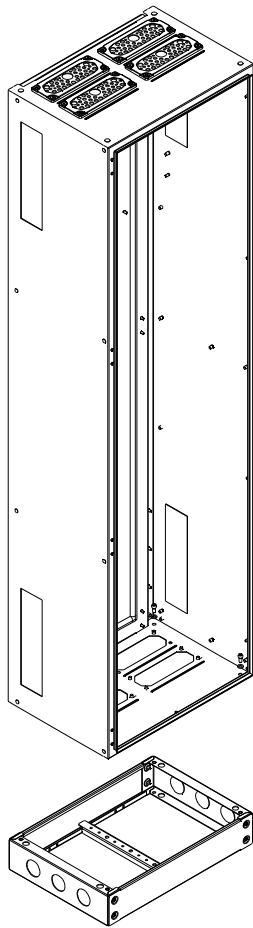


PH1 D4 -W2 001336918				
No.	Type ETI	Name	Pcs.	
1	PH1-BOK-D4	Side plinth	2	
2	PH1-PRZ-W2	Front plinth	2	
3	PH-BEL-D4	Support	1	
4	AS-SH 8x16	Screw M8x16 DIN912 Zn	4	
5	AW-R 8	Washer M8 DIN126 Zn	4	
6	AST 4.8x9.5	Tapping screw	8	

PH1 D4 -W3 001336920				
No.	Type ETI	Name	Pcs.	
1	PH1-BOK-D4	Side plinth	2	
2	PH1-PRZ-W3	Front plinth	2	
3	PH-BEL-D4	Support	1	
4	AS-SH 8x16	Screw M8x16 DIN912 Zn	4	
5	AW-R 8	Washer M8 DIN126 Zn	4	
6	AST 4.8x9.5	Tapping screw	8	

PH1 D4 -W4 001336922				
No.	Type ETI	Name	Pcs.	
1	PH1-BOK-D4	Side plinth	2	
2	PH1-PRZ-W4	Front plinth	2	
3	PH-BEL-D4	Support	1	
4	AS-SH 8x16	Screw M8x16 DIN912 Zn	4	
5	AW-R 8	Washer M8 DIN126 Zn	4	
6	AST 4.8x9.5	Tapping screw	8	





Code No	Type	A [mm]	B [mm]
001327508	HXS400 2-13	510	1960
001327509	HXS400 3-13	760	1960
001327510	HXS400 4-13	1010	1960

