

RH

heatsinks for relays



RDR-10

RH28



RH21



RH19A



Application for	RSR45	RSR52, RSR95, RSR92	RSR52, RSR95, RSR92
Material	aluminum	aluminum	aluminum
Color	grey	grey	grey
Dimensions (L x W x H)	80 x 32 x 50 mm	80 x 50 x 50 mm	70 x 50 x 69 mm
Weight (typical)	70 g	115 g	275 g
Thermal resistance	2,8 °C/W	2,1 °C/W	1,9 °C/W
Additional equipment	–	–	RDR-10 ❶
Mounting	on panel, on 35 mm rail mount	on panel, on 35 mm rail mount	on 35 mm rail mount (with clip RDR-10)

RH19B



RH17A



RH16



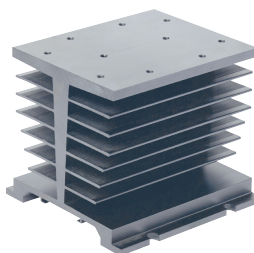
RDR-30

Application for	RSR45, RSR52, RSR95, RSR92	RSR52, RSR95, RSR92	RSR52, RSR95, RSR92
Material	aluminum	aluminum	aluminum
Color	grey	grey	grey
Dimensions (L x W x H)	81 x 50 x 83 mm	90 x 50 x 69 mm	106 x 50 x 96 mm
Weight (typical)	335 g	350 g	375 g
Thermal resistance	1,9 °C/W	1,7 °C/W	1,6 °C/W
Additional equipment	–	RDR-30 ❷	–
Mounting	on 35 mm rail mount	on 35 mm rail mount (with clip RDR-30)	on panel, on 35 mm rail mount

RH16-F



RH08



RH08-F

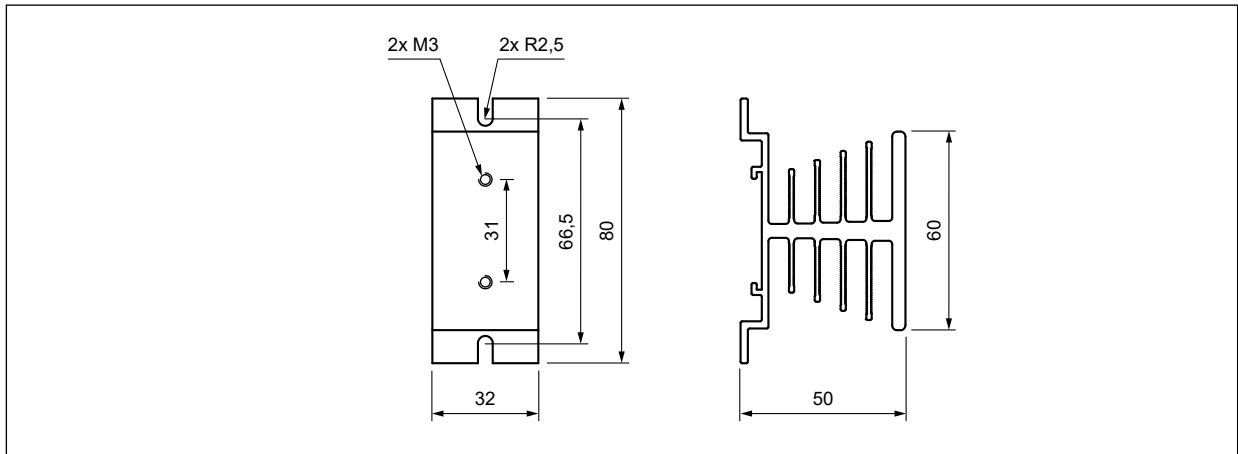


Application for	RSR52, RSR95, RSR92	RSR52, RSR95, RSR92, RSR62, RSR92-...-T	RSR52, RSR95, RSR92, RSR62, RSR92-...-T
Material	aluminum	aluminum	aluminum
Color	grey	grey	grey
Dimensions (L x W x H)	106 x 80 x 96 mm	106 x 110 x 96 mm	106 x 140 x 96 mm
Weight (typical)	645 g	825 g	1 095 g
Thermal resistance	0,6 °C/W	0,8 °C/W	0,35 °C/W
Additional equipment	built-in fan	–	built-in fan
Mounting	on panel, on 35 mm rail mount	on panel, on 35 mm rail mount	on panel, on 35 mm rail mount

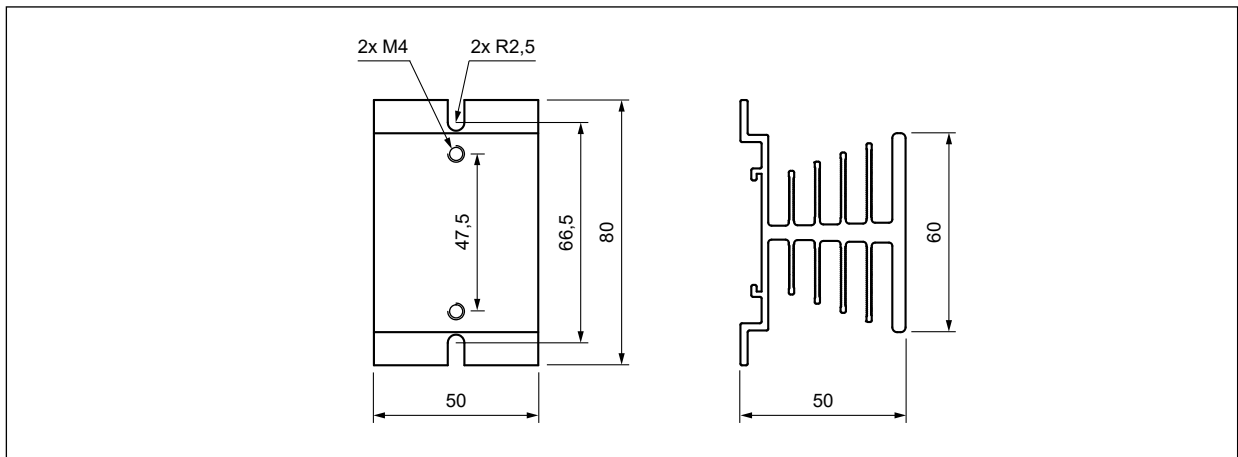
❶ Clip RDR-10 for heatsink RH19A: for mounting on 35 mm rail mount (including 6 holes on M4 screws).

❷ Clip RDR-30 for heatsink RH17A: for mounting on 35 mm rail mount (including 6 holes on M3 screws).

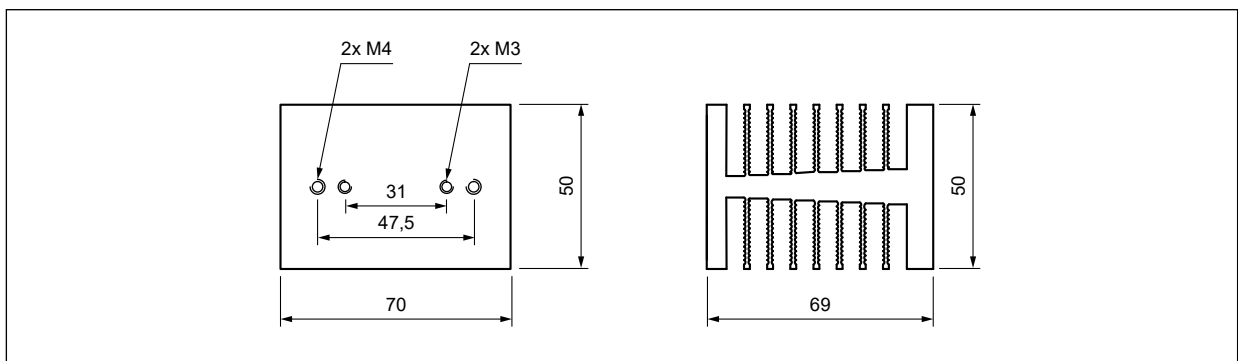
Dimensions



Heatsink **RH28**

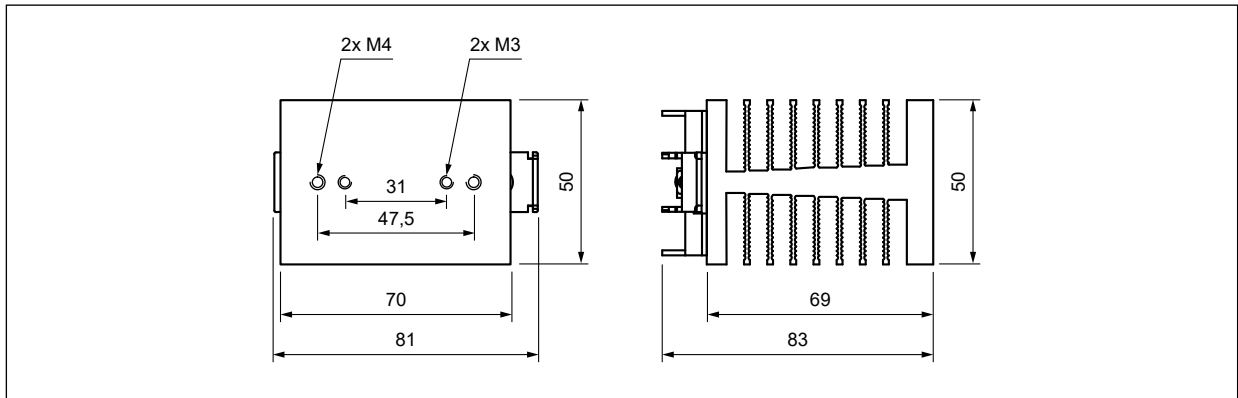


Heatsink **RH21**

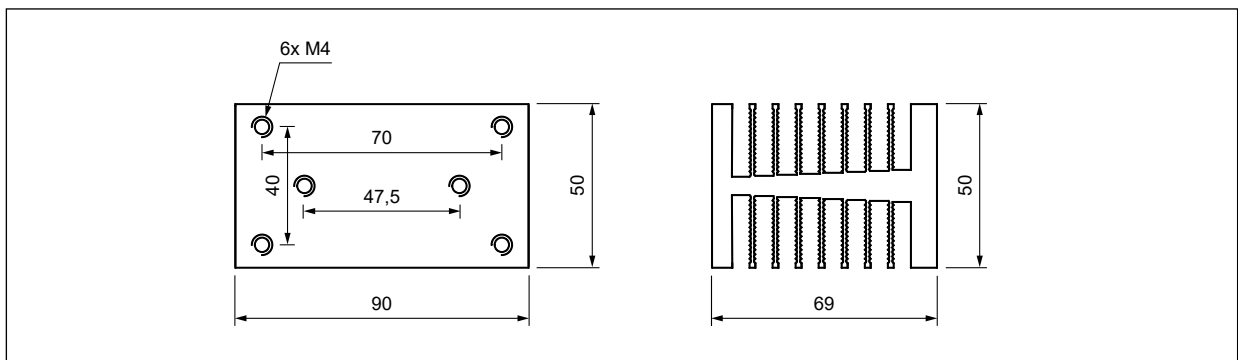


Heatsink **RH19A**

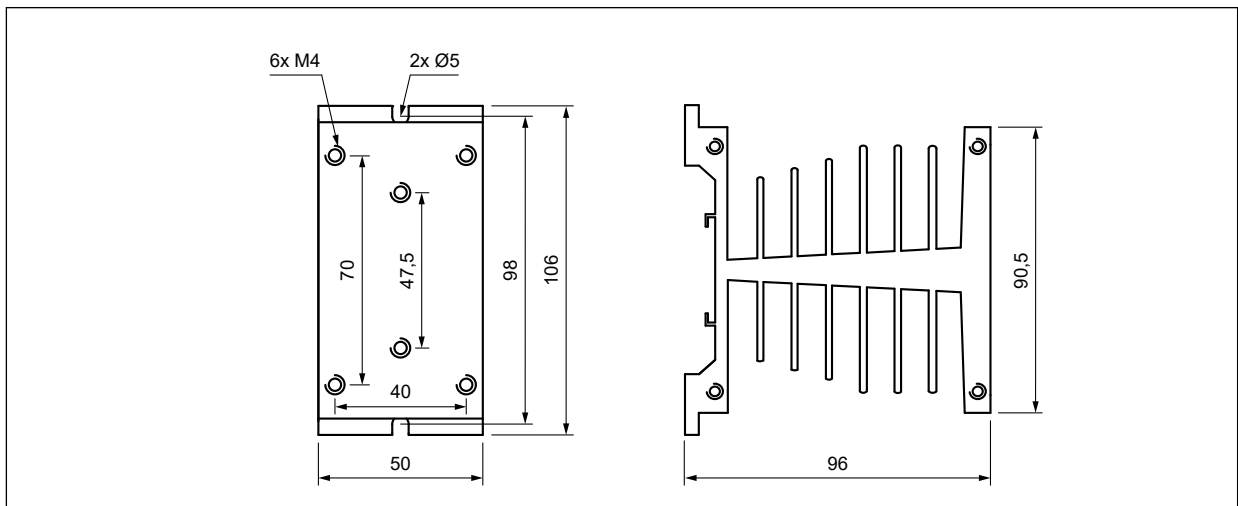
Dimensions



Heatsink **RH19B**

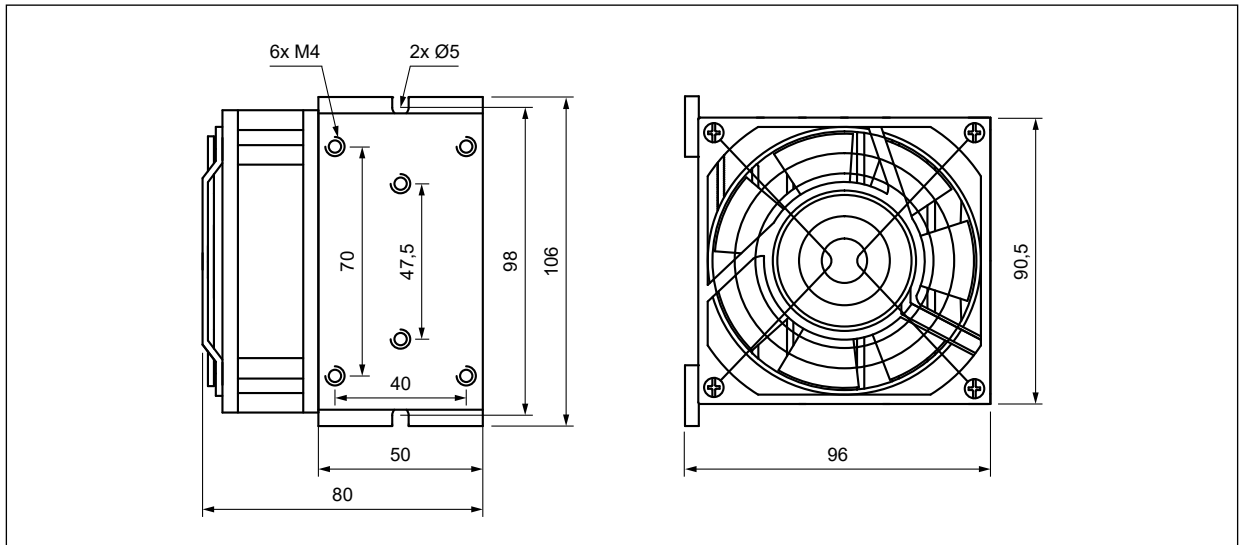


Heatsink **RH17A**

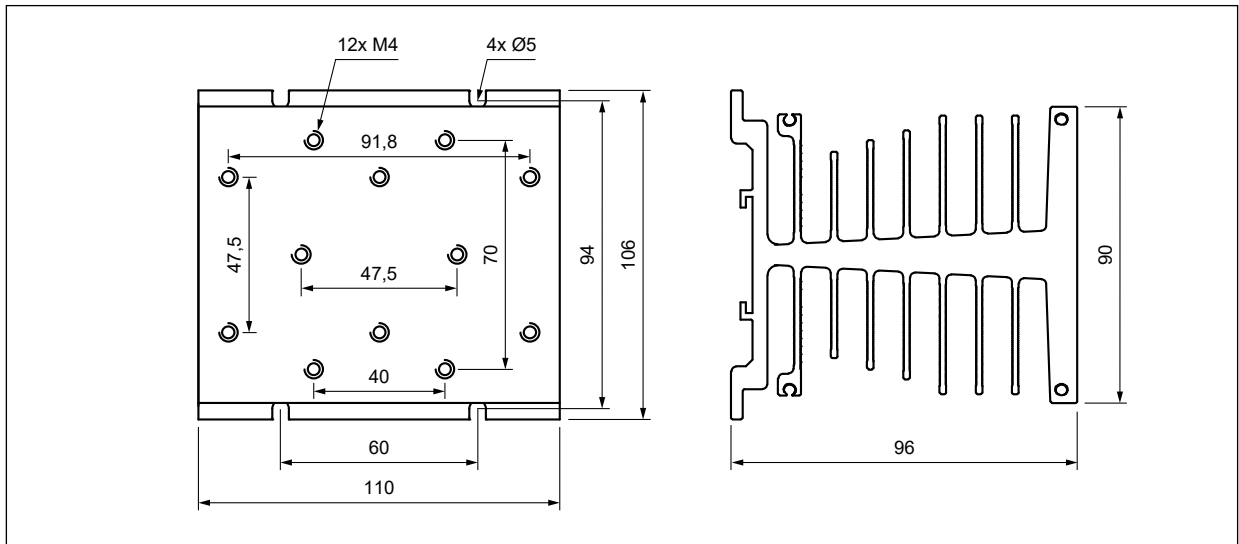


Heatsink **RH16**

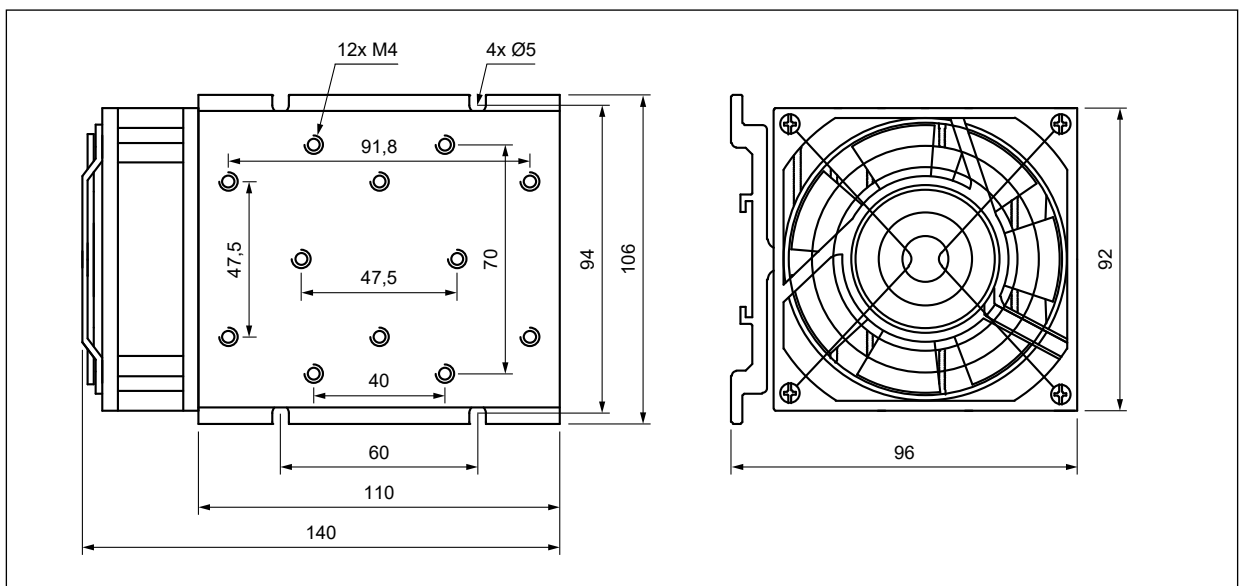
Dimensions



Heatsink RH16-F



Heatsink RH08



Heatsink RH08-F