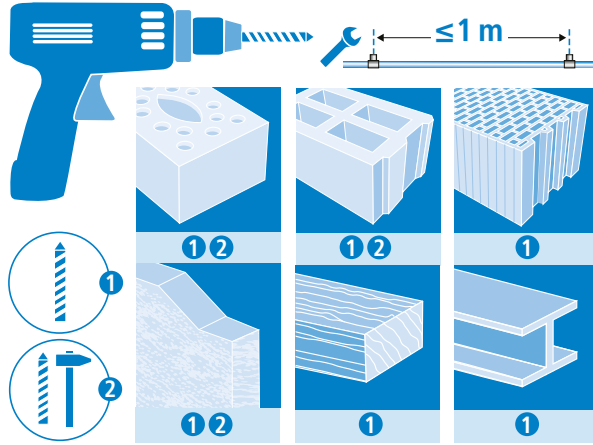
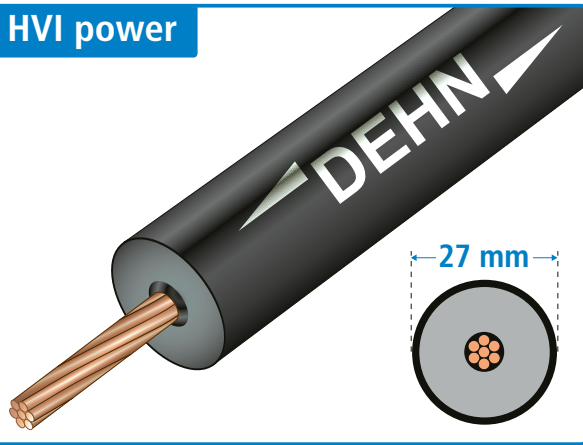
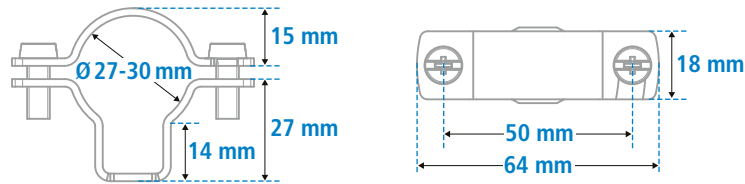
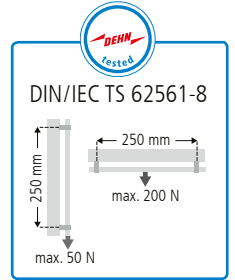


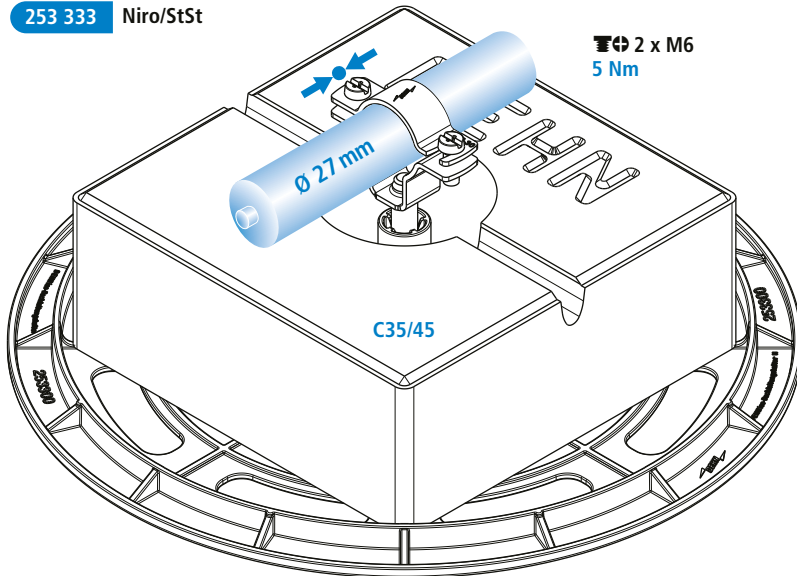
HVI power



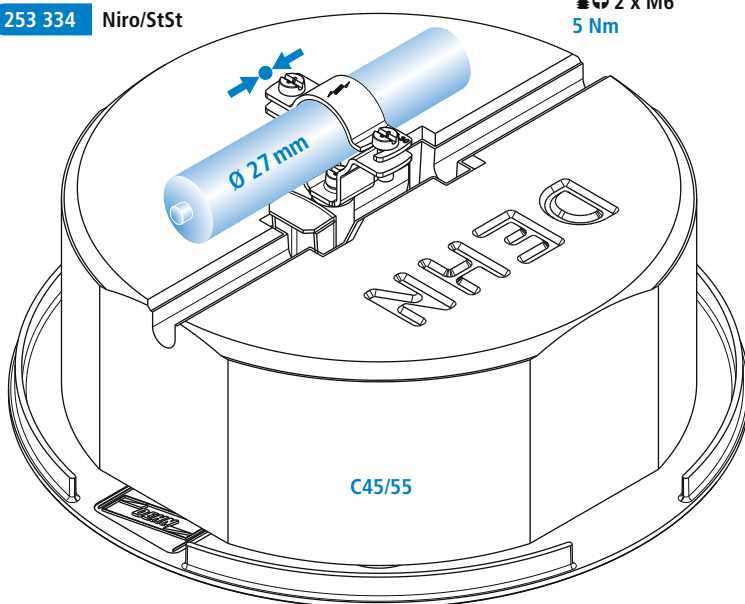
IEC 60417-6182: Installation, electrotechnical expertise
 IEC 60417-6183: Installation, mechanical expertise



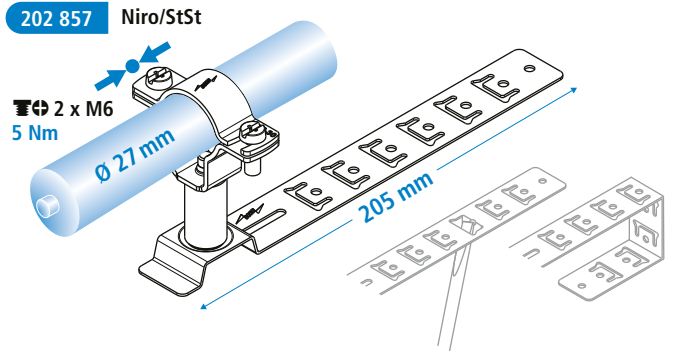
253 333 Niro/StSt



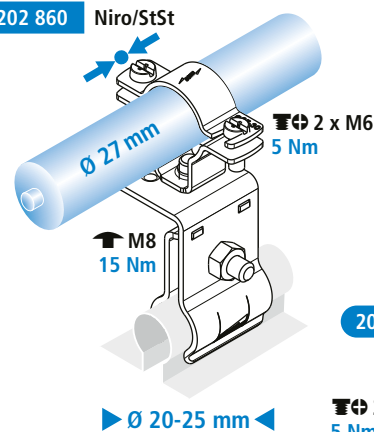
253 334 Niro/StSt



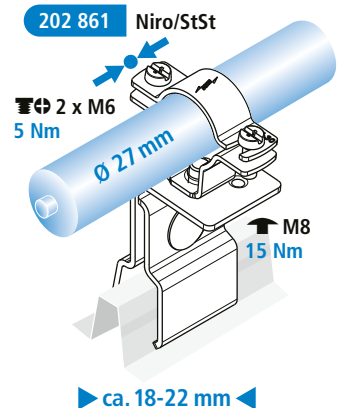
202 857 Niro/StSt



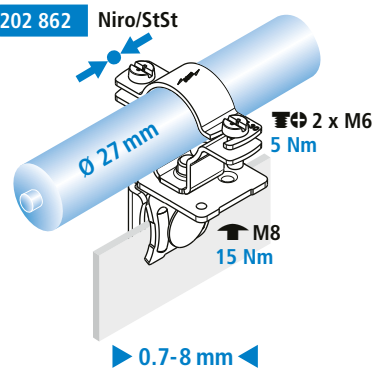
202 860 Niro/StSt



202 861 Niro/StSt



202 862 Niro/StSt



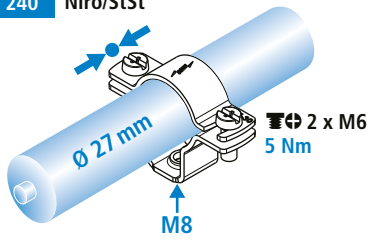


IEC 60417-6182:
Installation,
electrotechnical expertise

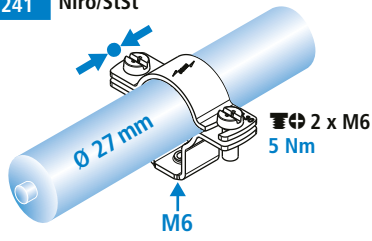


IEC 60417-6183:
Installation,
mechanical expertise

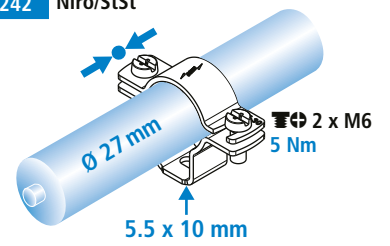
275 240 Niro/StSt



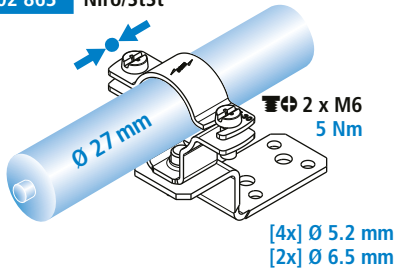
275 241 Niro/StSt



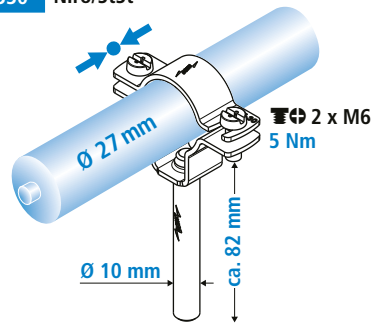
275 242 Niro/StSt



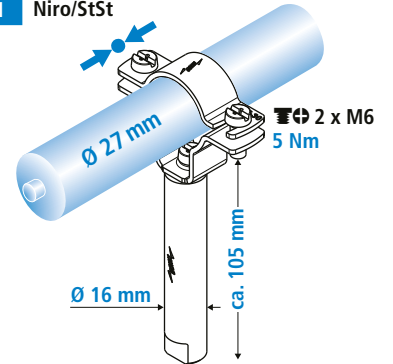
202 863 Niro/StSt



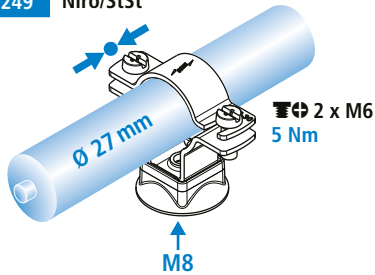
253 330 Niro/StSt



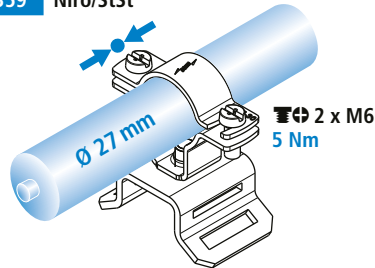
253 331 Niro/StSt



275 249 Niro/StSt



275 359 Niro/StSt



275 339 Niro/StSt

