

DLH DS 8 H36 L205 BR AL (204 171)

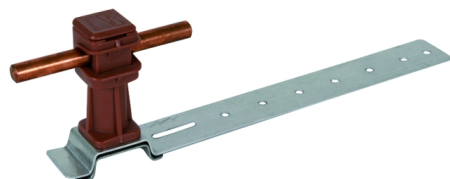
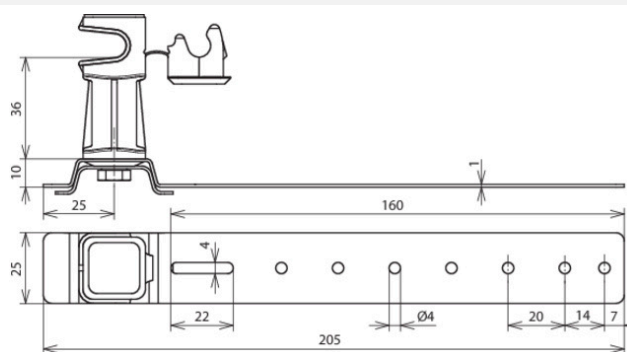


Figure without obligation



Type	DLH DS 8 H36 L205 BR AL
Part No.	204 171
Material of roof conductor holder	Al
Length of brace (l1)	205 mm
Height of conductor holder	36 mm
Material of conductor holder	plastic
Colour of conductor holder	brown •
Conductor support Rd	8 mm
Type of conductor holder	DEHNsnap
Conductor routing	loose
Fixing possibilities	for easy adjustment to the grooves
Type of roofing	tiled
Female thread	M6
Weight	38 g
Customs tariff number (Comb. Nomenclature EU)	85389099
GTIN	4013364073708
PU	50 pc(s)

We reserve the right to introduce changes in performance, configuration and technology, dimensions, weights and materials in the course of technical progress. The figures are shown without obligation.