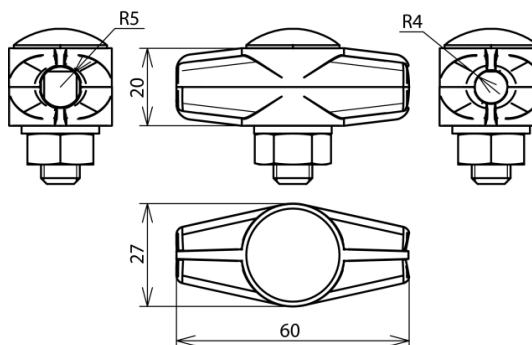




## ESTK 8.10 ZG (463 010)



Figure without obligation



Arrangement:



Type	ESTK 8.10 ZG
Part No.	463 010
Material	ZDC
Clamping range Rd / Rd	8 / 10 mm
Screw	⬆ M10 x 30 mm
Material of screw / nut	StSt
Lightning current carrying capability (10/350 µs)	50 kA <sup>*)</sup>
Standard	EN 62561-1
Weight	138 g
Customs tariff number (Comb. Nomenclature EU)	85359000
GTIN	4013364025493
PU	50 pc(s)

<sup>\*)</sup>For exact classification, see test certificate.

We reserve the right to introduce changes in performance, configuration and technology, dimensions, weights and materials in the course of technical progress. The figures are shown without obligation.