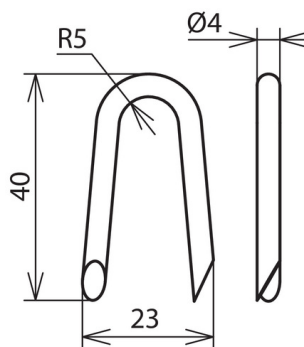


KRA 6.10 STTZN (538 010)



Figure without obligation



Type	KRA 6.10 STTZN
Part No.	538 010
Dimensions (l x w x d)	approx. 40 x 10 x 4 mm
Fixing	by nailing
Material of conductor holder	St/tZn
Conductor support Rd	6-10 mm
Conductor routing	fixed / loose
Weight	8 g
Customs tariff number (Comb. Nomenclature EU)	73170080
GTIN	4013364054868
PU	500 pc(s)

We reserve the right to introduce changes in performance, configuration and technology, dimensions, weights and materials in the course of technical progress. The figures are shown without obligation.