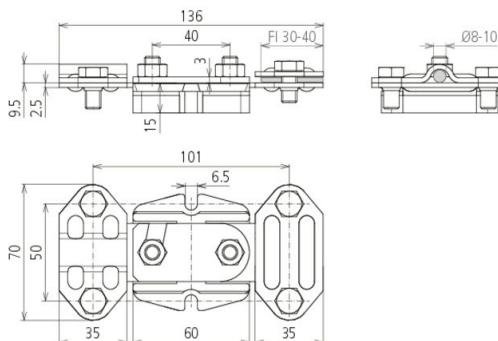




**FTS 8.10 FL30.40 IS STTZN (453 100)**



Figure without obligation



Arrangement:

| Type  | FTS 8.10 FL30.40 IS STTZN |
|---|---------------------------|
| Part No.  | 453 100                   |
| Material  | St/tZn                    |
| Clamping range Rd / FI                            | 8-10 / 30-40 mm           |
| Screw   | ● M8 x 16 / M8 x 20 mm    |
| Material of screw / nut                           | StSt                      |
| Insulating piece                                  | plastic grey ●            |
| Lightning current carrying capability (10/350 µs) | 50 kA *)                  |
| Standard  | EN 62561-1                |
| Weight  | 333 g                     |
| Customs tariff number (Comb. Nomenclature EU)     | 85359000                  |
| GTIN  | 4013364025523             |
| PU  | 10 pc(s)                  |

Version for conductor Rd / Rd 8-10 mm part no. 453 102 available upon request.

\*) For exact assignment, see test certificate.

We reserve the right to introduce changes in performance, configuration and technology, dimensions, weights and materials in the course of technical progress. The figures are shown without obligation.