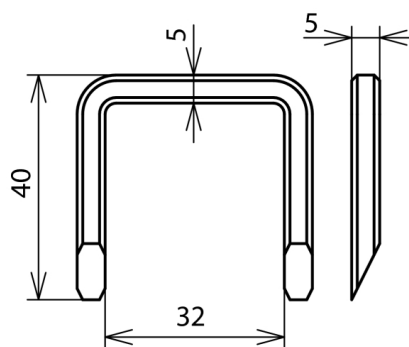


### KRA FL30 STTZN (538 030)



Figure without obligation



Type	KRA FL30 STTZN
Part No.	538 030
Dimensions (l x w x d)	approx. 35 x 35 x 5 mm
Fixing	by nailing
Material of conductor holder	St/tZn
Conductor support FI	30 mm
Conductor routing	fixed / loose
Weight	19 g
Customs tariff number (Comb. Nomenclature EU)	73170080
GTIN	4013364026902
PU	300 pc(s)

We reserve the right to introduce changes in performance, configuration and technology, dimensions, weights and materials in the course of technical progress. The figures are shown without obligation.