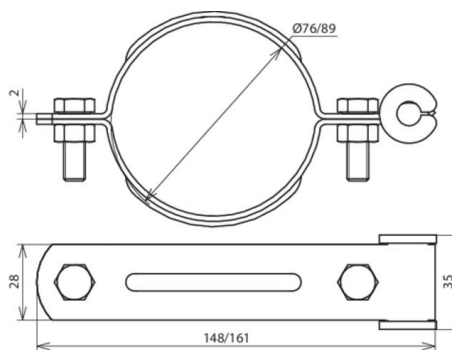


LH KD 8.10 D76 STTZN (425 076)



Figure without obligation



Type	LH KD 8.10 D76 STTZN
Part No.	425 076
Clamping range Ø pipe	76 mm
Material	St/tZn
Conductor support Rd	8-10 mm
Conductor routing	fixed
Screw	⚙️ M8 x 20 mm
Material of screw / nut	StSt
Weight	208 g
Customs tariff number (Comb. Nomenclature EU)	85389099
GTIN	4013364022683
PU	50 pc(s)

We reserve the right to introduce changes in performance, configuration and technology, dimensions, weights and materials in the course of technical progress. The figures are shown without obligation.