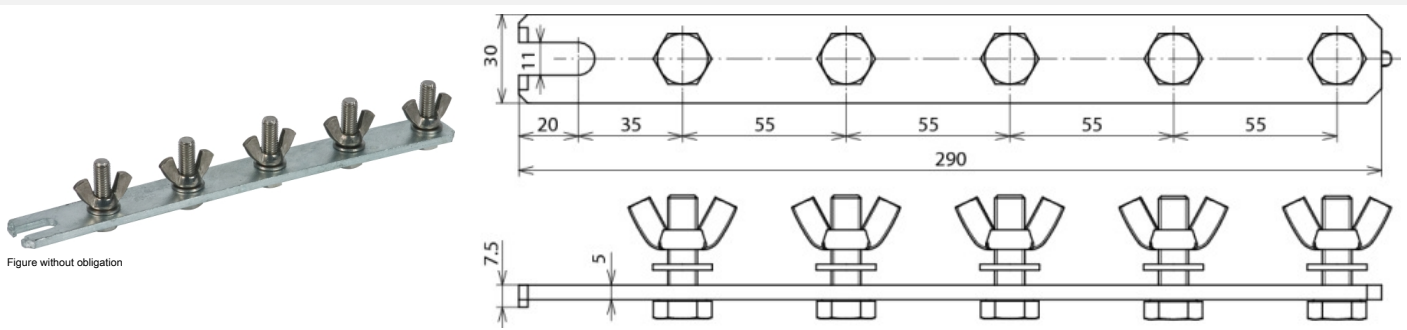


**ESS 5P M10X35 STTZN (466 192)**



Type	ESS 5P M10X35 STTZN
Part No.	466 192
Design	five-pole
Material of busbar	SttZn
Length	290 mm
Screw	M10 x 35 mm
Nut	wing nut M10
Material of screw / nut	StSt
Certification	according to VG 95 211
Certification document	K16/1 033
Weight	550 g
Customs tariff number (Comb. Nomenclature EU)	85359000
Stock No.	5940-12-188-4931
GTIN	4013364030084
PU	1 pc(s)

We reserve the right to introduce changes in performance, configuration and technology, dimensions, weights and materials in the course of technical progress. The figures are shown without obligation.

Packing in accordance with specifications of the VG standards (defence equipment standards) must be explicitly indicated when ordering.