

## HOEL 36 20 1100 (785 399)



Figure without obligation

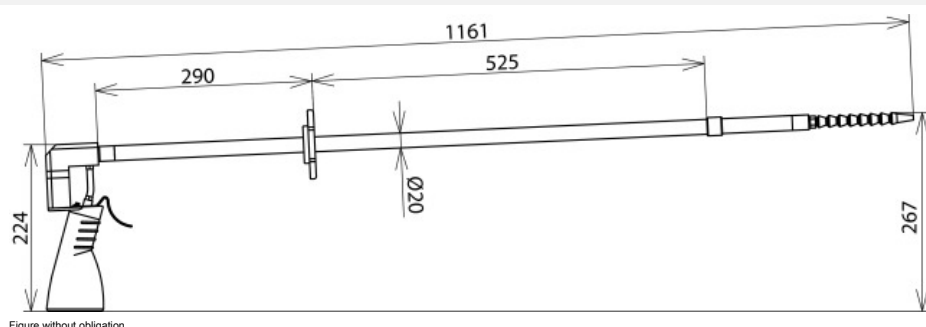


Figure without obligation

Type	HOEL 36 20 1100
Part No.	785 399
Nominal voltage (U <sub>N</sub> )	Up to 36 kV
Total length (l <sub>o</sub> )	1160 mm
Insertion depth (l <sub>i</sub> )	280 mm
Length (handle) (l <sub>H</sub> )	290 mm
Diameter	20 mm
Volume (oil container)	200 ml
Temperature range	+5 °C ... +50 °C
Standard	Based on DIN VDE 0681-1 and DIN VDE 0682-621
For use at	*
Accessory	Extension (500 mm) (Part No. 785 398)
Weight	757 g
Customs tariff number (Comb. Nomenclature EU)	82055980
GTIN	4013364146525
PU	1 pc(s)

We reserve the right to introduce changes in performance, configuration and technology, dimensions, weights and materials in the course of technical progress. The figures are shown without obligation.