

**FBH ZS 30 IGM8 STTZN ZG (275 030)**

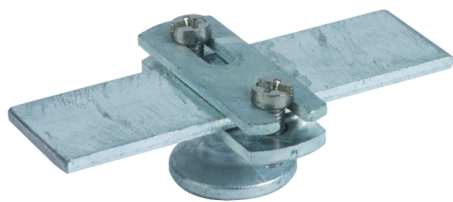
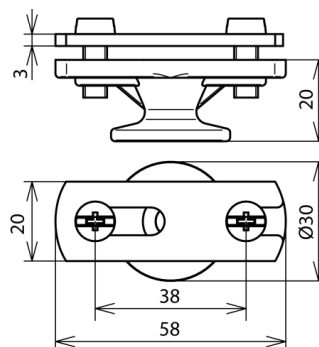


Figure without obligation



Type	FBH ZS 30 IGM8 STTZN ZG
Part No.	275 030
Conductor support FI	30 x 3.5 mm
Conductor routing	fixed
Thread of conductor holder	M8
Height of conductor holder	20 mm
Material of clamping plate	St/tZn
Material of base part	ZDC
Standard	EN 62561-4
Weight	87 g
Customs tariff number (Comb. Nomenclature EU)	85389099
GTIN	4013364095847
PU	50 pc(s)

We reserve the right to introduce changes in performance, configuration and technology, dimensions, weights and materials in the course of technical progress. The figures are shown without obligation.