

AK 25 ESH STK SN7361 (766 372)

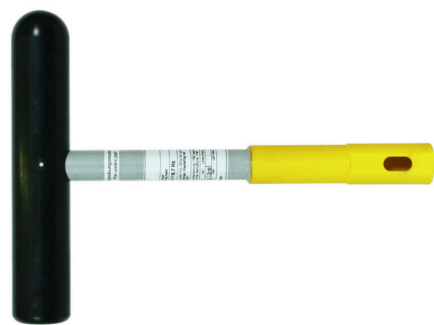


Figure without obligation

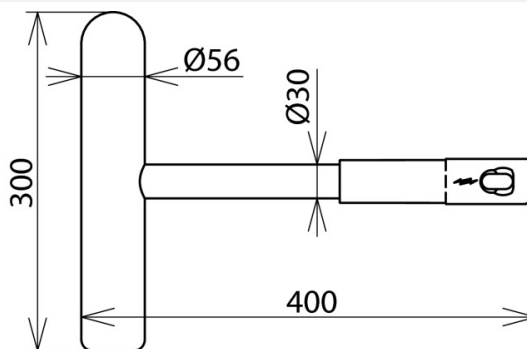


Figure without obligation

Operating head (hammer) with plug-in coupling

Type	AK 25 ESH STK SN7361
Part No.	766 372
Nominal voltage (U _N)	1 ... 25 kV
Frequency	50 and 16.7 Hz
Total length (l _g)	400 mm
Dimensions (operating head)	300 x 56 mm
Standard (operating head)	Based on DIN VDE 0682 - 411 and DIN VDE V 0681 - 1
For use at	▲
Material (handle)	Glass-fibre reinforced polyester tube
Weight	1,24 kg
Customs tariff number (Comb. Nomenclature EU)	96039099
GTIN	4013364139916
PU	1 pc(s)

We reserve the right to introduce changes in performance, configuration and technology, dimensions, weights and materials in the course of technical progress. The figures are shown without obligation.