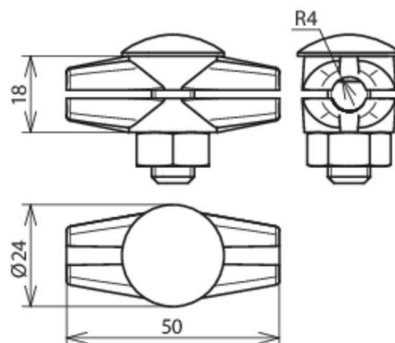




ESV 8 RG (309 087)



Figure without obligation



Arrangement:



Type	ESV 8 RG
Part No.	309 087
Material of clamp	high copper alloy
Clamping range Rd	8 mm
Screw	⬆ M10 x 35 mm
Material of screw / nut	StSt
Lightning current carrying capability (10/350 µs)	100 kA ^{*)}
Standard	EN 62561-1
Weight	99 g
Customs tariff number (Comb. Nomenclature EU)	85359000
GTIN	4013364024243
PU	50 pc(s)

^{*)}For exact classification, see test certificate.

We reserve the right to introduce changes in performance, configuration and technology, dimensions, weights and materials in the course of technical progress. The figures are shown without obligation.