

LH FS 8 H16 GR V2A (204 029)

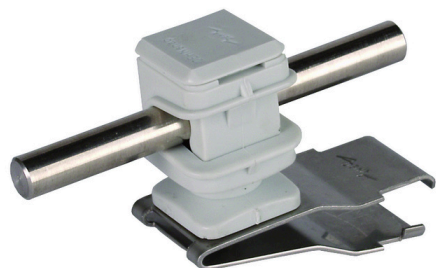
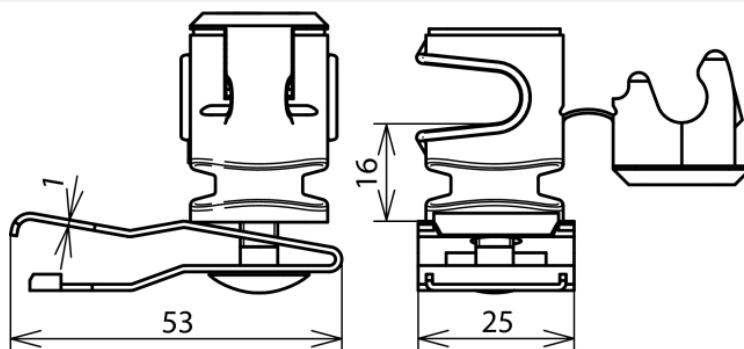


Figure without obligation



| Type | LH FS 8 H16 GR V2A |
|---|----------------------|
| Part No. | 204 029 |
| Material of roof conductor holder | StSt |
| Height of conductor holder | 16 mm |
| Material of conductor holder | plastic |
| Colour of conductor holder | grey |
| Conductor support Rd | 8 mm |
| Fixing | with clamping device |
| Type of conductor holder | DEHNsnap |
| Conductor routing | loose |
| Female thread | M6 |
| Weight | 35 g |
| Customs tariff number (Comb. Nomenclature EU) | 85389099 |
| GTIN | 4013364032286 |
| PU | 50 pc(s) |

We reserve the right to introduce changes in performance, configuration and technology, dimensions, weights and materials in the course of technical progress. The figures are shown without obligation.