



WD M10 12 V4A DWD L200 300 STTZN (478 530)

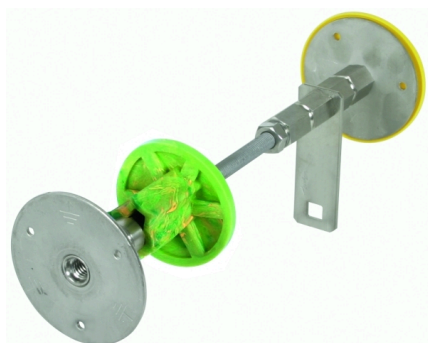
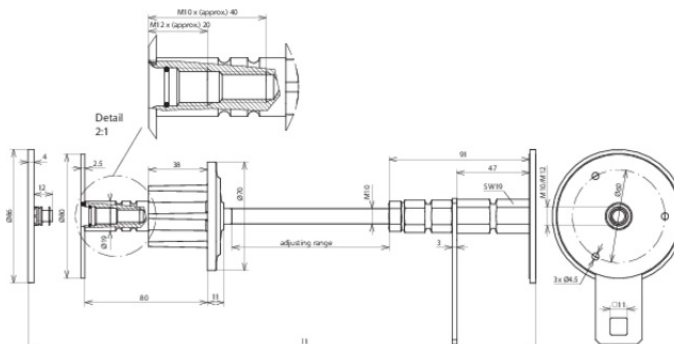


Figure without obligation



Type	WD M10 12 V4A DWD L200 300 STTZN
Part No.	478 530
Material of plate	StSt (V4A)
Material No.	1.4571 / 1.4404 / 1.4401
ASTM / AISI:	316Ti / 316L / 316
Material of axis	St/tZn
Wall thickness (I1)	200-300 mm
Connection thread	M10 / 12
Connection plate Ø	80 mm
Pressure-water test	1 bar
Material of water barrier	PVC
Short-circuit current (a.c. 50 Hz / d.c.) (1 s; ≤ 300 °C)	4.1 kA
Standard	EN 62561-(1+5)
Weight	697 g
Customs tariff number (Comb. Nomenclature EU)	85359000
GTIN	4013364120341
PU	10 pc(s)

We reserve the right to introduce changes in performance, configuration and technology, dimensions, weights and materials in the course of technical progress. The figures are shown without obligation.