

KFP 20 M12 (754 200)

- Female thread (not cut)



Figure without obligation

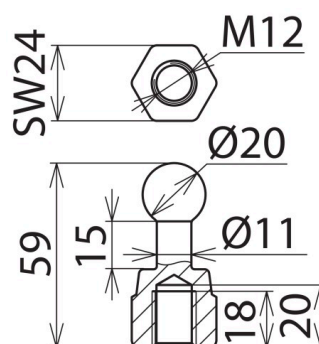


Figure without obligation

| Type | KFP 20 M12 |
|---|--|
| Part No. | 754 200 |
| Fixed ball point Ø | 20 mm |
| Dimensions | M12 |
| Wrench size | 24 mm |
| Max. cable cross-section Cu | 120 mm ² |
| Max. short-circuit current I _k 0.5 s | 33.5 kA |
| Max. short-circuit current I _k 1 s | 23.7 kA |
| Standard | EN/IEC 61230 (DIN VDE 0683-100) and based on DIN 48088-1 |
| Material (fixed ball point) | E-Cu/gal Sn |
| Weight | 131 g |
| Customs tariff number (Comb. Nomenclature EU) | 85359000 |
| GTIN | 4013364004207 |
| PU | 1 pc(s) |

We reserve the right to introduce changes in performance, configuration and technology, dimensions, weights and materials in the course of technical progress. The figures are shown without obligation.