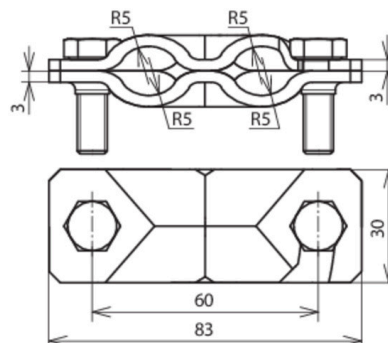




## SVPK 8.10 8.10 FL30 STTZN (308 060)



Figure without obligation



Arrangement:



| Type  | SVPK 8.10 8.10 FL30 STTZN           |
|---|-------------------------------------|
| Part No.  | 308 060                             |
| Material of clamp                                 | St/tZn                              |
| Clamping range Rd / Rd                            | 8-10 / 8-10 mm                      |
| Clamping range Rd / FI                            | 8-10 / 30 mm                        |
| Clamping range FI / FI                            | 30 / 30 mm                          |
| Screw   | ⚙ M8 x 25 mm                        |
| Material of screw                                 | St/tZn                              |
| Lightning current carrying capability (10/350 μs) | $I_{imp} 100 kA / I_{imp} 50 kA$ *) |
| Standard  | EN 62561-1                          |
| Weight  | 138 g                               |
| Customs tariff number (Comb. Nomenclature EU)     | 85359000                            |
| GTIN  | 4013364066281                       |
| PU  | 50 pc(s)                            |

\*) For exact assignment see test certificate.

We reserve the right to introduce changes in performance, configuration and technology, dimensions, weights and materials in the course of technical progress. The figures are shown without obligation.