

DM AF RD10 D105MM TPE (478 598)

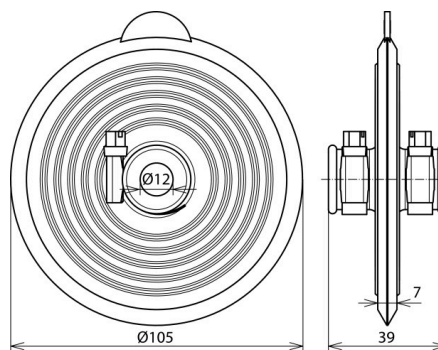


Figure without obligation

Pressurised water test up to 1 bar represents an installation depth of 10 m in stagnant water, additionally tested with 5 bar compressed air according to DIN EN 62561-5.

Type	DM AF RD10 D105MM TPE
Part No.	478 598
Sealing collar material	thermoplast elastomer
Material of tensioning straps	StSt
Diameter of sealing collar	105 mm
Bushing / seal, Rd.	10 mm
Pressure-water test	1 bar
Standard	EN 62561-5
Weight	120 g
Customs tariff number (Comb. Nomenclature EU)	40169300
GTIN	4013364158016
PU	10 pc(s)

We reserve the right to introduce changes in performance, configuration and technology, dimensions, weights and materials in the course of technical progress. The figures are shown without obligation.