



KS 7.10 B10.5 AL (347 205)

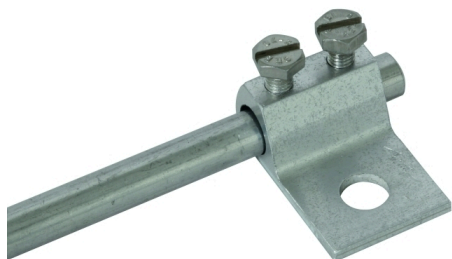
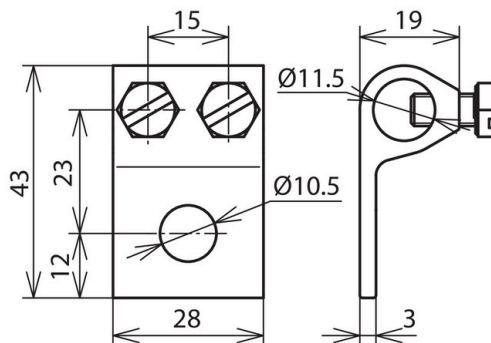


Figure without obligation



Arrangement:

Type	KS 7.10 B10.5 AL
Part No.	347 205
Clamping range Rd	7-10 mm
Material	Al
Fixing hole Ø	10.5 mm
Screw	⚙️ M6 x 12 mm
Material of screw	StSt
Lightning current carrying capability (10/350 µs)	⚡ 100kA *)
Standard	EN 62561-1
Weight	25 g
Customs tariff number (Comb. Nomenclature EU)	85359000
GTIN	4013364136601
PU	100 pc(s)

*) For exact assignment, see test certificate.

We reserve the right to introduce changes in performance, configuration and technology, dimensions, weights and materials in the course of technical progress. The figures are shown without obligation.