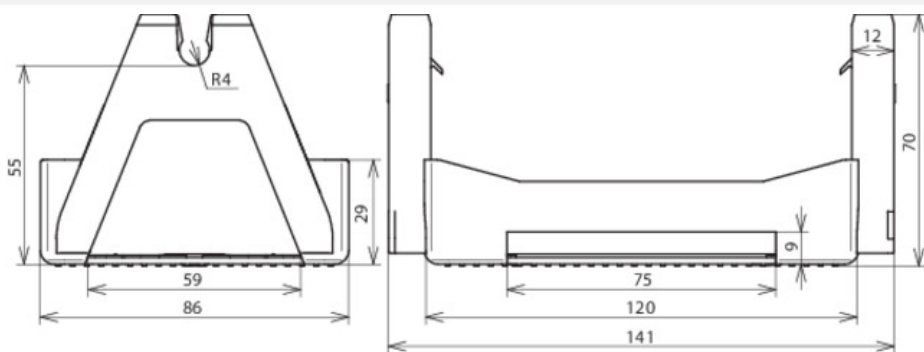


DLH KF2 8 LO 141X86X70 (253 051)



Figure without obligation



Type	DLH KF2 8 LO 141X86X70
Part No.	253 051
Conductor routing	loose
Material of conductor holder	plastic
Colour of conductor holder	black •
Conductor support Rd	8 mm
Dimensions	141 x 86 x 70 mm
Application note	for flat roofs with plastic, sealing or flat roofing sheets
Fixing possibility	for clamping into roofing sheet stripes (approx. 300 x 70 mm) (not included in delivery) which are welded with or adhered to the roof foil
Weight	38 g
Customs tariff number (Comb. Nomenclature EU)	85389099
GTIN	4013364079823
PU	100 pc(s)

We reserve the right to introduce changes in performance, configuration and technology, dimensions, weights and materials in the course of technical progress. The figures are shown without obligation.