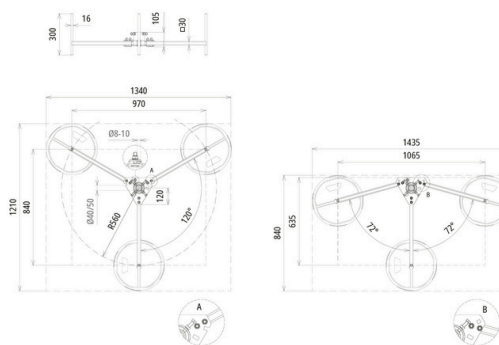


**DBS KB D40.50 RA560 STTZN (105 200)**



Figure without obligation



Type	DBS KB D40.50 RA560 STTZN
Part No.	105 200
Material of tripod	St/tZn
Support	Ø40 / 50 mm
Radius	560 mm
Space required for tripod	1200 x 1330 mm
Number of concrete bases	6 / 9 blocks, 17 kg each
Standard	EN 62561-1
Weight	9,6 kg
Customs tariff number (Comb. Nomenclature EU)	85389099
GTIN	4013364095908
PU	1 pc(s)

We reserve the right to introduce changes in performance, configuration and technology, dimensions, weights and materials in the course of technical progress. The figures are shown without obligation.