

FBH ZS 30 B6.5X16 STTZN (284 030)

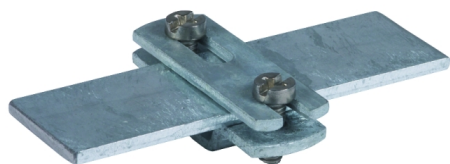
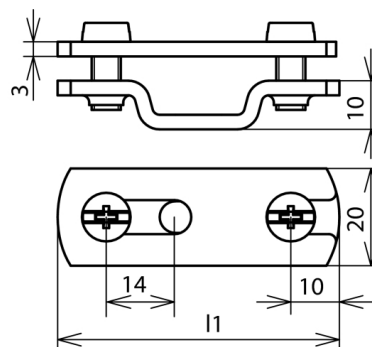


Figure without obligation



Type	FBH ZS 30 B6.5X16 STTZN
Part No.	284 030
Height of conductor holder	10 mm
Conductor support FI	30 x 3.5 mm
Material of conductor holder	St/tZn
Material of base part	St/tZn
Material thickness (t)	3 mm
Slot	6.5 x 16 mm
Width of component (l1)	58 mm
Standard	EN 62561-4
Weight	54 g
Customs tariff number (Comb. Nomenclature EU)	85389099
GTIN	4013364022485
PU	100 pc(s)

We reserve the right to introduce changes in performance, configuration and technology, dimensions, weights and materials in the course of technical progress. The figures are shown without obligation.