

DLH SS 8 H36 FG180.280 BR CU (204 247)

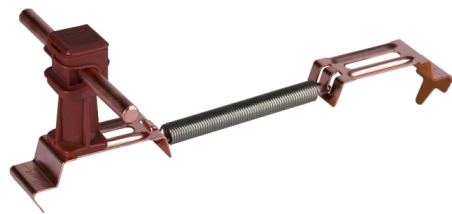
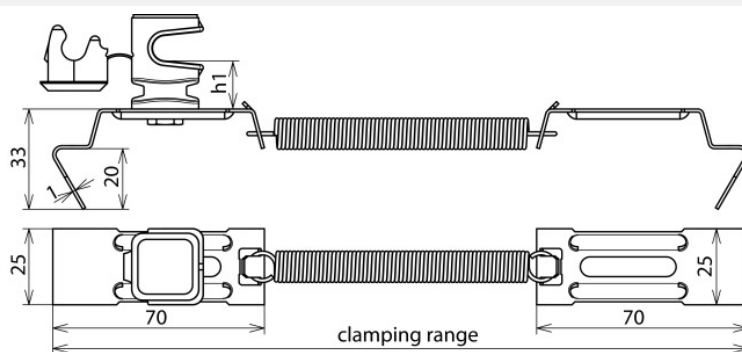


Figure without obligation



| Type | DLH SS 8 H36 FG180.280 BR CU |
|---|--|
| Part No. | 204 247 |
| Material of roof conductor holder | Cu |
| Clamping range of ridge tile width | 180-280 mm |
| Height of conductor holder (h1) | 36 mm |
| Material of conductor holder | plastic |
| Colour of conductor holder | brown • |
| Conductor support Rd | 8 mm |
| Length of supporting claw | 20 mm |
| Type of conductor holder | DEHNsnap |
| Conductor routing | loose |
| Application note | laterally adjustable conductor leading |
| Weight | 72 g |
| Customs tariff number (Comb. Nomenclature EU) | 85389099 |
| GTIN | 4013364041806 |
| PU | 25 pc(s) |

We reserve the right to introduce changes in performance, configuration and technology, dimensions, weights and materials in the course of technical progress. The figures are shown without obligation.