



KS 8.10 8.10 FL30 ZP FRSM8 STTZN (318 203)

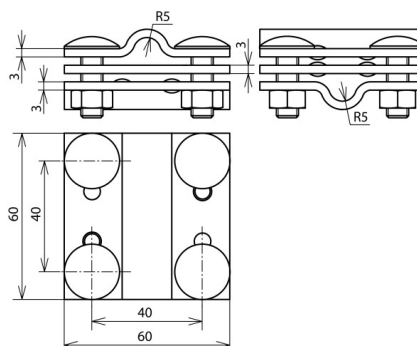
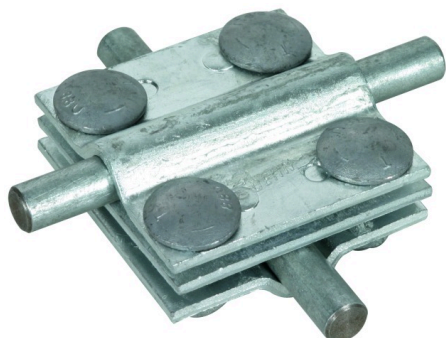


Figure without obligation

Arrangement:



Type	KS 8.10 8.10 FL30 ZP FRSM8 STTZN
Part No.	318 203
Material of clamp	St/tZn
Clamping range Rd / Rd	8-10 / 8-10 mm
Clamping range Rd / FI	8-10 / 30 mm
Clamping range FI / FI	30 / 30 mm
Screw	⬆ M8 x 25 mm
Material of screw / nut	St/tZn
Dimensions	60 x 60 x 3 mm
Intermediate plate	yes
Lightning current carrying capability (10/350 µs)	100 kA ^{*)}
Standard	EN 62561-1
Short-circuit current (a.c. 50 Hz / d.c.) (1 s; ≤ 300 °C)	14 kA
Zinc coating acc. EN 1461	~50 µm
Weight	329 g
Customs tariff number (Comb. Nomenclature EU)	85359000
GTIN	4013364159914
PU	1 pc(s)

^{*)} See test certificate for exact classification.

We reserve the right to introduce changes in performance, configuration and technology, dimensions, weights and materials in the course of technical progress. The figures are shown without obligation.