

**DP 40 40 B13 AL (525 001)**



Figure without obligation

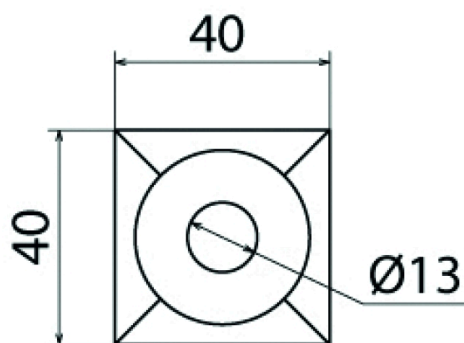


Figure without obligation

|   |                           |
|---|---------------------------|
| <b>Type</b>                                   | <b>DP 40 40 B13 AL</b>    |
| <b>Part No.</b>                               | <b>525 001</b>            |
| Dimensions                                    | M12, 40 x 40 x 6 mm       |
| Material                                      | Highly resistant Al alloy |
| Weight  | 19 g                      |
| Customs tariff number (Comb. Nomenclature EU) | 85389099                  |
| GTIN  | 4013364004986             |
| PU  | 10 pc(s)                  |

We reserve the right to introduce changes in performance, configuration and technology, dimensions, weights and materials in the course of technical progress. The figures are shown without obligation.