

DLH DQ 6.10 H55 L115 WS STTZN (202 050)

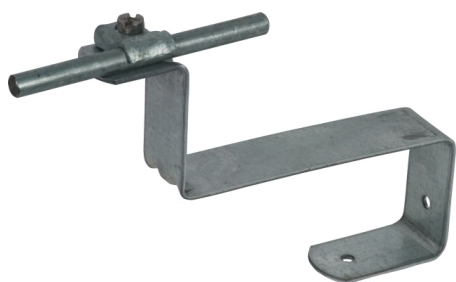
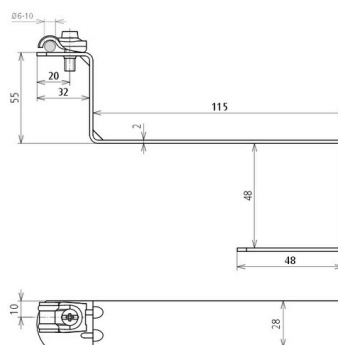


Figure without obligation



Type	DLH DQ 6.10 H55 L115 WS STTZN
Part No.	202 050
Material of roof conductor holder	St/tZn
Length of brace (l1)	115 mm
Material of conductor holder	St/tZn
Conductor support Rd	6-10 mm
Type of roofing	tiled roofs
Fixing possibility	for hooking at the roof battens
Type of conductor holder	DEHNquick
Conductor routing	fixed
Hole Ø	8.4 mm
Weight	137 g
Customs tariff number (Comb. Nomenclature EU)	85389099
GTIN	4013364020214
PU	25 pc(s)

We reserve the right to introduce changes in performance, configuration and technology, dimensions, weights and materials in the course of technical progress. The figures are shown without obligation.