

SKL 92 16 10 (766 703)

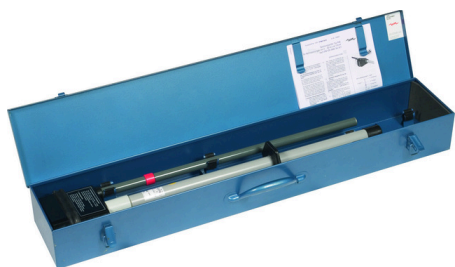


Figure without obligation

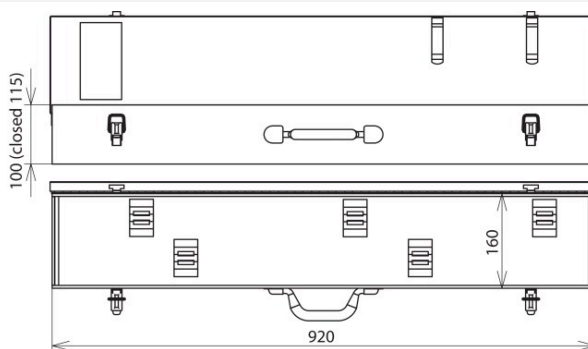


Figure without obligation

Hammer-tone finished with retaining springs

Type	SKL 92 16 10
Part No.	766 703
Suitable for	PHE
Dimensions	920 x 160 x 115 mm
Colour	Blue •
For PHE total length	Up to 1460 mm
Weight	5,03 kg
Customs tariff number (Comb. Nomenclature EU)	42021990
GTIN	4013364080379
PU	1 pc(s)

We reserve the right to introduce changes in performance, configuration and technology, dimensions, weights and materials in the course of technical progress. The figures are shown without obligation.