



DRK DUL 8.10 W16.22 STTZN (339 050)

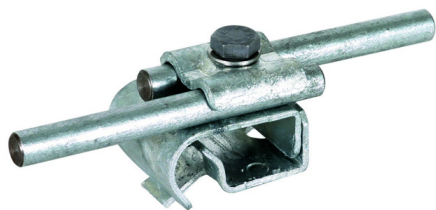
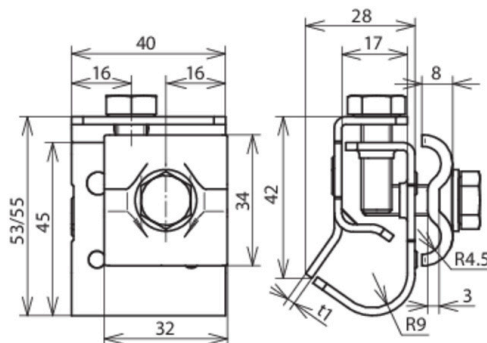


Figure without obligation



Arrangement:

Type	DRK DUL 8.10 W16.22 STTZN
Part No.	339 050
Component protection	German Patent No. P 38 35 245.1
Clamping range bead	16-22 mm
Material of gutter clamp	St/tZn
Clamping range Rd	8-10 mm
Material of conductor clamp	St/tZn
Width / material thickness	40 / 2 mm
Screw	☐ M8 x 20 / 25 mm
Material of screw	St/tZn
Lightning current carrying capability (10/350 μs)	☐ 50 kA *)
Standard	EN 62561-1
Weight	138 g
Customs tariff number (Comb. Nomenclature EU)	85359000
GTIN	4013364096257
PU	25 pc(s)

*) See test certificate for exact classification.

We reserve the right to introduce changes in performance, configuration and technology, dimensions, weights and materials in the course of technical progress. The figures are shown without obligation.