



DRK KB 6.10 W16.22 STTZN (339 060)

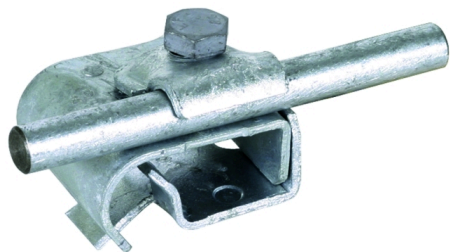
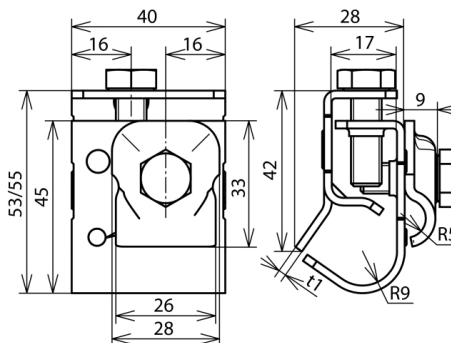


Figure without obligation



Arrangement:

Type	DRK KB 6.10 W16.22 STTZN
Part No.	339 060
Component protection	German Patent No. P 38 35 245.1
Clamping range bead	16-22 mm
Material of gutter clamp	St/tZn
Clamping range Rd	6-10 mm
Material of conductor clamp	St/tZn
Width / material thickness	40 mm
Screw	M8 x 20 / 25 mm
Material of screw	St/tZn
Lightning current carrying capability (10/350 µs)	^{*)}
Standard	EN 62561-1
Weight	133 g
Customs tariff number (Comb. Nomenclature EU)	85359000
GTIN	4013364046870
PU	25 pc(s)

^{*)} See test certificate for exact classification.

We reserve the right to introduce changes in performance, configuration and technology, dimensions, weights and materials in the course of technical progress. The figures are shown without obligation.