



**AK 4.10 FRM10X45 KBF0.4 12 TGTZN (371 008)**

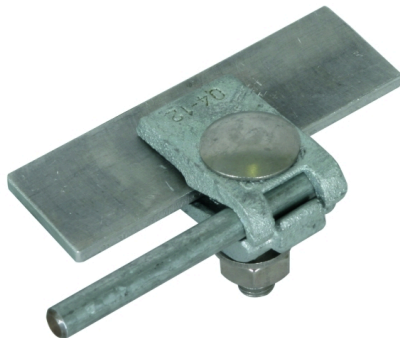
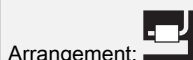
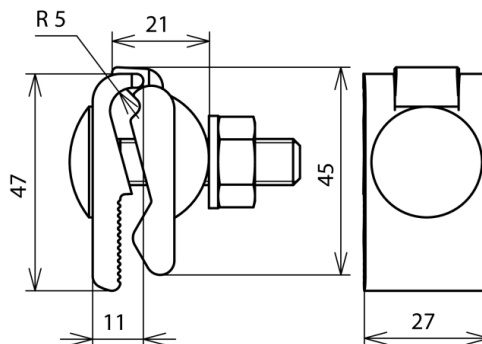


Figure without obligation



Arrangement:

Type	AK 4.10 FRM10X45 KBF0.4 12 TGTZN
Part No.	371 008
Clamping range	0.4-12 mm
Material of clamp	MCl/tZn
Clamping range Rd	4-10 mm
Screw	⬆ M10 x 45 mm
Material of screw / nut	StSt
Lightning current carrying capability (10/350 µs)	50 kA <sup>*)</sup>
Standard	EN 62561-1
Weight	148 g
Customs tariff number (Comb. Nomenclature EU)	85359000
GTIN	4013364024670
PU	50 pc(s)

\*) For exact assignment see test certificate.

We reserve the right to introduce changes in performance, configuration and technology, dimensions, weights and materials in the course of technical progress. The figures are shown without obligation.