

## HSA194 110 420 16.7 (767 542)

- In a suiting transport case



Figure without obligation

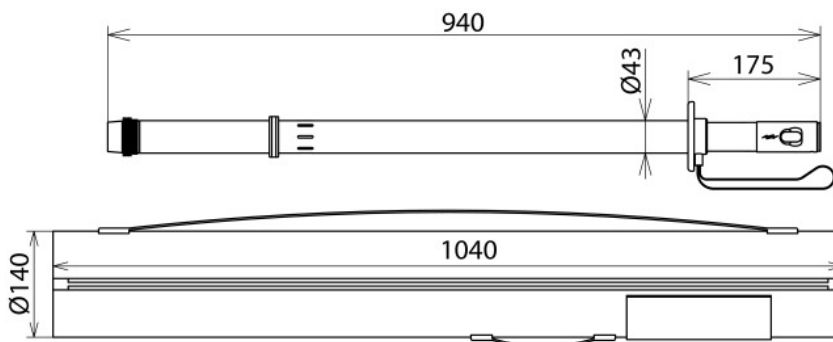


Figure without obligation

For contactlessly verifying that centre-earthed monophas traction current lines are dead.

Type	HSA194 110 420 16.7
Part No.	767 542
Nominal voltage range (U <sub>N</sub> )	110 ... 420 kV
Type of voltage	a.c.
Frequency	16.7 Hz
Total length (l <sub>c</sub> )	940 mm
Insulating clearance (l <sub>i</sub> )	540 mm
DB drawing No.	3 Ekgw 02.54
Temperature range	-25 °C ... +55 °C, climatic category N
For use at	▲
For	Overhead lines and outdoor switching stations
Application	Overhead lines
Type	Single-pole
Indication	Acoustic and visual
Self-testing element	Yes
Material (insulating stick)	Glass-fibre reinforced polyester tube
Verification while climbing the tower	No
Weight	5,35 kg
Customs tariff number (Comb. Nomenclature EU)	90303370
GTIN	4013364086616
PU	1 pc(s)

We reserve the right to introduce changes in performance, configuration and technology, dimensions, weights and materials in the course of technical progress. The figures are shown without obligation.