

HSA194 110 420 STK (767 541)

- In a suiting transport case



Figure without obligation

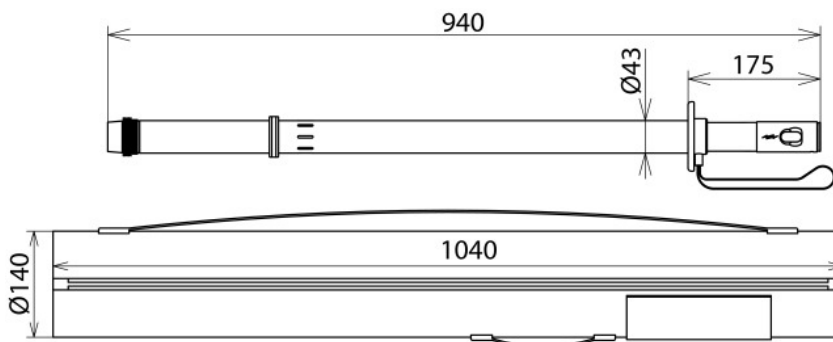


Figure without obligation

For contactlessly verifying that high-voltage overhead lines are dead.

Type	HSA194 110 420 STK
Part No.	767 541
Nominal voltage range (U _N)	110 ... 420 kV
Type of voltage	a.c.
Frequency	50 Hz
Total length (l ₀)	940 mm
Insulating clearance (l _i)	540 mm
Temperature range	-25 °C ... +55 °C, climatic category N
For use at	
For	Overhead lines and outdoor switching stations
Application	Overhead lines
Type	Single-pole
Indication	Acoustic and visual
Self-testing element	Yes
Material (insulating stick)	Glass-fibre reinforced polyester tube
Verification while climbing the tower	No
Weight	1,2 kg
Customs tariff number (Comb. Nomenclature EU)	90303370
GTIN	4013364115712
PU	1 pc(s)

We reserve the right to introduce changes in performance, configuration and technology, dimensions, weights and materials in the course of technical progress. The figures are shown without obligation.