

## DLH DG 8 H20 FG180.280 KK GALCU (206 807)

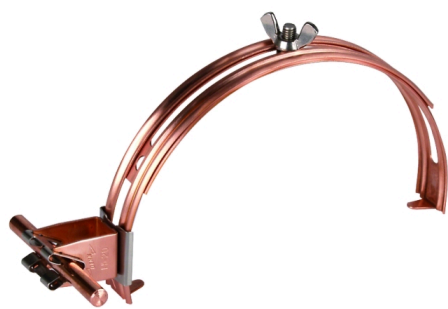
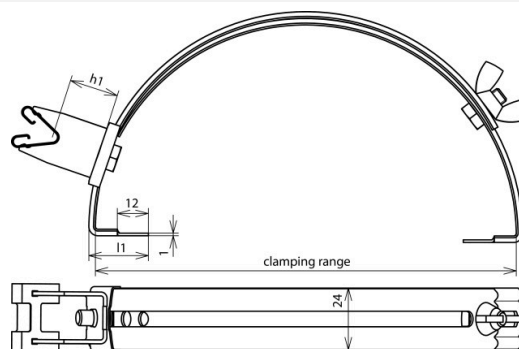


Figure without obligation



| Type  | DLH DG 8 H20 FG180.280 KK GALCU |
|---|---------------------------------|
| Part No.                                      | 206 807                         |
| Material of roof conductor holder             | Cu                              |
| Clamping range                                | 180-280 mm                      |
| Height of conductor holder (h1)               | 20 mm                           |
| Material of conductor holder                  | Cu                              |
| Conductor support Rd                          | 8 mm                            |
| Length of clamping claw                       | 15 mm                           |
| Type of conductor holder                      | DEHNgrip                        |
| Conductor routing                             | loose                           |
| Female thread                                 | M6                              |
| Standard                                      | EN 62561-4                      |
| Weight  | 107 g                           |
| Customs tariff number (Comb. Nomenclature EU) | 85389099                        |
| GTIN  | 4013364046306                   |
| PU  | 25 pc(s)                        |

We reserve the right to introduce changes in performance, configuration and technology, dimensions, weights and materials in the course of technical progress. The figures are shown without obligation.