

ASPS 110 132 16.7 L (767 565)

- Insulating stick with plug-in coupling as end fitting for extending the handle
- In a suitable storage bag



Figure without obligation

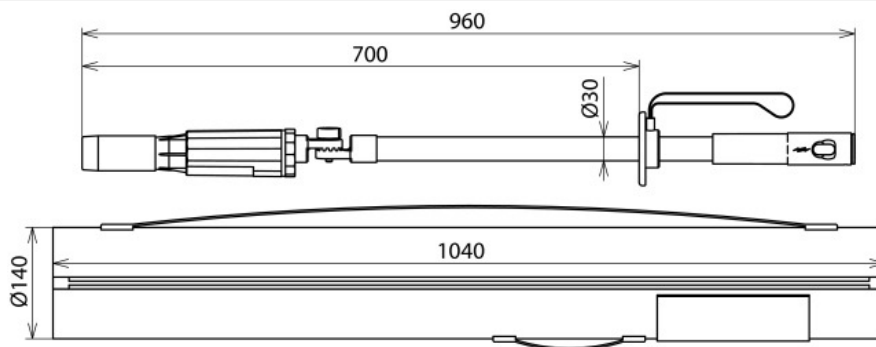


Figure without obligation

For contactlessly verifying that centre-earthed monophasic traction power lines are dead

Type	ASPS 110 132 16.7 L
Part No.	767 565
Nominal voltage (U _N)	110 ... 132 kV
Type of voltage	a.c.
Frequency	16.7 Hz
Total length (l _Σ)	960 mm
Category	L
DB drawing no.	3 Eku 710 002
Temperature range	-25 °C ... +55 °C
For use at	▲
For	Overhead lines and outdoor switching stations
Application	Overhead lines
Design	Single-pole
Indication	Acoustic and visual
Self-testing element	Yes
Material (indicator)	Plastic, fully insulated (black)
Material (electric field sensor)	Plastic (black)
Material (insulating stick)	Glass-fibre reinforced polyester tube
Weight	2,03 kg
Customs tariff number (Comb. Nomenclature EU)	90303370
GTIN	4013364143760
PU	1 pc(s)

We reserve the right to introduce changes in performance, configuration and technology, dimensions, weights and materials in the course of technical progress. The figures are shown without obligation.