

AEA KO KF HVI 20 SW V2A (819 197)

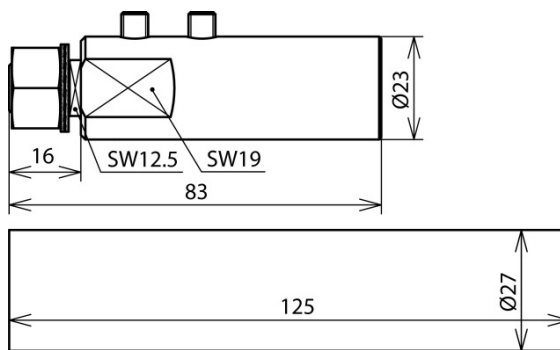


Figure without obligation

Connection element for sealing the HVI long Conductor, for establishing the sealing end of the conductor on the outside of the supporting tube (head piece for connection plate), incl. one heat-shrinkable sleeve.

Type	AEA KO KF HVI 20 SW V2A
Part No.	819 197
Material	StSt
Connection	M12 thread
Diameter Ø connection element	23 mm
Type	with Nord lock washer
Screw	M6 x 8 threaded bolt mm
Standard	DIN IEC/TS 62561-8 (VDE V 0185-561-8)
Weight	196 g
Customs tariff number (Comb. Nomenclature EU)	85359000
GTIN	401336422236
PU	1 pc(s)

We reserve the right to introduce changes in performance, configuration and technology, dimensions, weights and materials in the course of technical progress. The figures are shown without obligation.