

SDS 2 (923 117)

- Electrical isolation of insulated track sections and earthed parts of installations
- Safe equipotential bonding due to high-current-resistant welding of the electrodes in case of a short-circuit or earth fault at the overhead contact line
- Discharge of surges without short-circuit formation



Figure without obligation

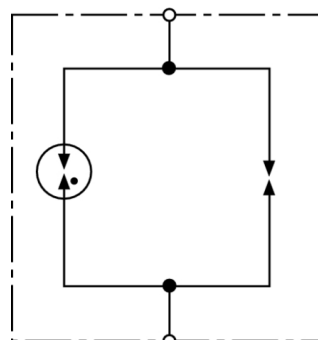


Figure without obligation

Basic circuit diagram SDS 2

Voltage limiting device for a d.c. sparkover voltage of 350 V.

Type	SDS 2
Part No.	923 117
VLD type (EN 50122-1)	VLD-F
d.c. sparkover voltage (U_{ag})	350 V +/- 20 %
Impulse sparkover voltage	≤ 900 V (1 kV/μs)
Lightning current discharge capacity (10/350 μs) 0.1x / 0.5x / 1x	2 kA
Lightning current withstand capability (10/350 μs)	25 kA
Safe short-circuit due to welding of the electrodes in case of direct currents	≥ 600 A / 250 ms
Short-circuit withstand capability	25 kA _{rms} / 100 ms; 36 kA _{rms} / 75 ms
Long-term current	1 kA _{rms} for t ≤ 120 s
Leakage current (I_c)	< 1 μA for 100 V d.c.
Operating temperature range (T_U)	-40 °C ... +80 °C
To be mounted with	mast adapter MA SDS M12 or SIEMENS No. 8WL6503-xx
Weight	42 g
Customs tariff number (Comb. Nomenclature EU)	85369095
GTIN	4013364093478
PU	10 pc(s)

We reserve the right to introduce changes in performance, configuration and technology, dimensions, weights and materials in the course of technical progress. The figures are shown without obligation.